

# Integrated Single DishDrawer™ Dishwasher, Tall, Sanitise

Series 9 | Integrated

Panel Ready

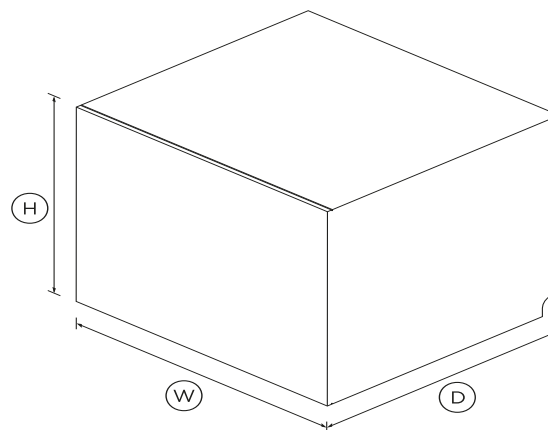


Integrating into your kitchen design seamlessly, with extra height for larger dishes in the tall top drawer.

- Knock to pause function is perfect if you miss a dish
- With extra height for taller dishes, and customisable internal shelving
- Six wash programs, as well as additional Quick wash, Sanitise and Extra Dry options
- Customise with your own front panel and handle to match your kitchen cabinetry

## DIMENSIONS

Height	454 mm
Width	599 mm
Depth	571 mm



## FEATURES & BENEFITS

### Ease of use

DishDrawer™ Dishwashers are as easy to open and close as kitchen drawers and can be conveniently positioned at bench height for ease of loading and minimal bending.

### Quick, Sanitise and Extra Dry options

The Quick wash modifier delivers a faster wash while maintaining performance. The Sanitise option provides extra protection, killing 99.9% of bacteria in the final rinse. The Extra Dry setting is perfect for plastic dishes.

### Knock to pause

Instead of needing a remote control, these DishDrawer™ Dishwashers have a knock to pause function. A knock on the front panel will pause the dishwasher which can be re-started again by using the start/play button.

### Quiet performer

Running at a very low decibel rate, these DishDrawer™ Dishwashers do their job without making a fuss. The combination of intelligent technology and simple mechanics means greater reliability and excellent wash performance.

## SPECIFICATIONS

### Accessories

Contemporary round handle	Part number 81645
Contemporary square handle	Part number 81794
Cutlery basket	•
Knife clip and multipurpose	•
Optional stainless steel door kit	Part number 81255

### Capacity and Loading

Accommodates round plates	310mm
Adjustable height, foldable	•
Fold down tines	•
Pitch adjustable tines	•
Place settings	7

### Consumption

Energy star rating	3.5
Energy usage	136kWh/year
Water rating (WELS)	4.5 star (WELS)
Water usage	6.9 litres per wash cycle

**Controls**

Child lock	•
Electronic fault/Diagnostic	•
End of cycle beeps	•
Energy saving delay start	•
Internal wash selector	•
Knock to pause	•
Rinse aid indicator light	•

**Features**

Fan assisted drying	•
Flow through detergent	•
Quiet operation	•
SmartDrive™ technology	•

**Performance**

Noise on standard cycle top	<b>43dBA</b>
-----------------------------	--------------

**Power requirements**

Amperage	<b>4.2A</b>
----------	-------------

**Product dimensions**

Depth	<b>571 mm</b>
Height	<b>454 mm</b>
Width	<b>599 mm</b>

**Warranty**

Parts and labour	<b>2 years</b>
------------------	----------------

**Wash Programs**

Delicate	•
Eco	•
Extra Dry	•
Fast	•
Heavy	•
Medium	•
Number of wash programs	<b>15</b>
Quick	•
Rinse	•
Sanitise	•
Wash modifiers	<b>3</b>

**Water connection**

Water pressure	<b>0.03 Mpa - 1 Mpa</b>
----------------	-------------------------

SKU	81210
-----	-------

TEST The product dimensions and specifications in this page apply to the specific product and model. Under our policy of continuous improvement, these dimensions and specifications may change at any time. You should therefore check with Fisher & Paykel's Customer Care Centre to ensure this page correctly describes the model currently available. © Fisher & Paykel Appliances Ltd 2020

**Other product downloads available at fisherpaykel.com**

- [↓](#) User Guide
- [↓](#) Service & Warranty Booklet
- [↓](#) Quick Start Guide
- [↓](#) Installation Guide
- [↓](#) Resources (zip)

**A PEACE OF MIND SALE****24 Hours 7 Days a Week Customer Support****T 1300 650 590 Wwww.fisherpaykel.com**