

DBI565IK.BS.AU

General description

Turbo Combi Drying™
Product line: Logic
Installation type: Built under work top
Size: XL, 82 cm
Number of baskets: 3
Number of place settings: 16 place settings
Upper rack type: Premium - two foldable wine shelves, fixed pin rows and one foldable glass support
Lower rack type: Premium - foldable pin rows
Removable cutlery basket for easy unloading

Construction & Performance

- Welded stainless steel container
- Exterior float
- Stand by water protection
- Anti-block drain pump
- 8 Steel™ construction
- Hidden heater
- SCS+ (Super Cleaning System+)
- Sensi Clean™ Sensor - detects the dirtiness level
- Number of spray arms: 3
- Number of spray zones: 9
- Turbo Combi Drying™
- TotalDry – automatic door opening
- Cutlery Power Zone



Use & Flexibility

- Number of place settings: 16 place settings
- Number of baskets: 3
- Upper rack type: Premium - two foldable wine shelves, fixed pin rows and one foldable glass support
- Height adjustable top basket: Yes
- Easy sliding telescope rails with ball bearings for the upper basket
- Lower rack type: Premium - foldable pin rows
- Dense basket wiring in both upper and lower basket
- Removable cutlery basket for easy unloading
- 2 LED lights
- Required inlet water pressure: 0,03-1 MPa

Interaction & Control

- Display type: LCD display
- Customizable programs: Program memory
- Number of programs: 9
- Number of options: 8
- Digital countdown indicator: Time remaining indicator
- Wash end indication: Visual and sound indication washing end

Programs, options and modes

- Delayed start: Variable start delay up to 24 hours
- Green mode
- Speed mode
- Night mode
- Super rinse

Design & Integration

- From front adjustable rear foot
- Simplified installation with integrated anti-siphon
- Min width: 600 mm
- Min height: 820 mm
- Depth (incl. wall spacing): 555 mm
- Height setting: 53 mm
- Kick plate adjustable depth: 30-94 mm

Safety & Maintenance

- Aqua Safe™
- Kid Safe™ - panel
- Rinse-aid indication: Notification in display

Technical data

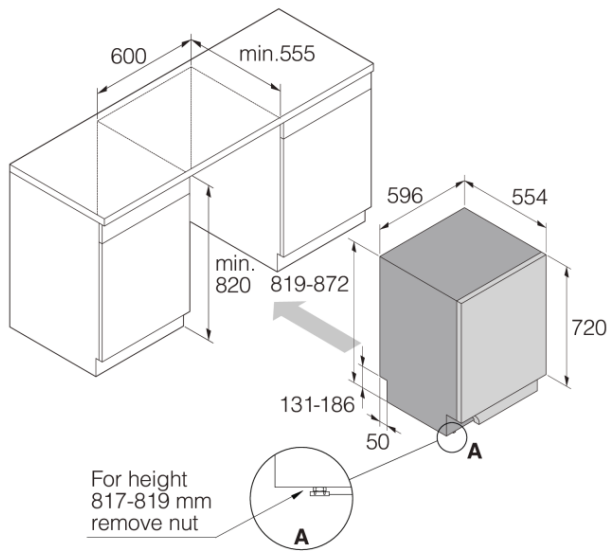
- Max. temperature of inflow water: 70 °C
 - Noise level: 40 dB(A)re 1 pW
 - Total cycle time of reference program (min): 178 min
 - Estimated yearly energy consumption: 216 kWh
 - Energy consumption reference program: 0,57 kWh
 - Energy stars: 4,5
 - Water stars: 6
 - Water consumption: 10,6 l
 - Consumption in standby mode: 0,77 W
 - Plug type: Australia
 - Connection rating: 2000 W
 - Number of phases: 1
 - Current: 10 amp
 - Frequency: 50 Hz
 - Required inlet water pressure: 0,03-1 MPa
 - Net weight: 40,5 kg
-

Dimensions

- Width: 596 mm
 - Height: 819 mm
 - Depth: 554 mm
 - Maximum product height: 872 mm
 - Length electrical cord: 1730 mm
 - Depth with door open: 1191 mm
 - Length inlet hose: 163 cm
 - Length outlet hose: 200 cm
-

Logistic information

- Packaging width: 640 mm
 - Packaging height: 890 mm
 - Packaging depth: 680 mm
 - Gross weight: 43,5 kg
 - Product code: 740017
 - EAN code: 3838782640834
 - Market: Domestic
 - Range: Logic
-



DW60 Built-in dishwasher XL

