

DBI364ID.S.AU

General description

Turbo Combi Drying™
Product line: Classic
Installation type: Built under work top
Size: XL, 82 cm
Number of baskets: 3
Number of place settings: 16 place settings
Upper rack type: Premium - two foldable wine shelves, fixed pin rows and one foldable glass support
Lower rack type: Premium - foldable pin rows

Construction & Performance

- Welded stainless steel container
- Exterior float
- Stand by water protection
- Anti-block drain pump
- 8 Steel™ construction
- Hidden heater
- SCS+ (Super Cleaning System+)
- Number of spray arms: 3
- Number of spray zones: 9
- Turbo Combi Drying™
- TotalDry – automatic door opening



Use & Flexibility

- Number of place settings: 16 place settings
- Number of baskets: 3
- Upper rack type: Premium - two foldable wine shelves, fixed pin rows and one foldable glass support
- Lower rack type: Premium - foldable pin rows
- Dense basket wiring in both upper and lower basket
- Required inlet water pressure: 0,03-1 MPa

Interaction & Control

- Display type: LCD display
- Customizable programs: Program memory
- Number of programs: 9
- Number of options: 5
- Digital countdown indicator: Front Display
- Wash end indication: Visual and sound indication washing end

Programs, options and modes

- Delayed start: Variable start delay up to 24 hours
- Speed mode
- Night mode
- Super rinse

Design & Integration

- From front adjustable rear foot
- Simplified installation with integrated anti-siphon
- Min width: 600 mm
- Min height: 820 mm
- Depth (incl. wall spacing): 555 mm
- Height setting: 53 mm
- Kick plate adjustable depth: 30-94 mm

Safety & Maintenance

- Aqua Safe™
- Kid Safe™ - panel
- Rinse-aid indication: Notification in display

Technical data

- Max. temperature of inflow water: 70 °C
- Noise level: 42 dB(A)re 1 pW
- Total cycle time of reference program (min): 178 min
- Estimated yearly energy consumption: 216 kWh
- Energy consumption reference program: 0,57 kWh
- Energy stars: 4,5
- Water stars: 6
- Water consumption: 10,6 l

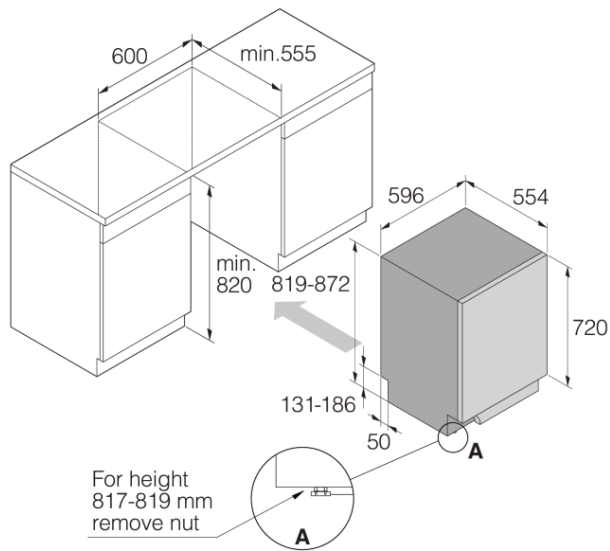
- Consumption in standby mode: 0,77 W
- Plug type: Australia
- Connection rating: 2000 W
- Number of phases: 1
- Current: 10 amp
- Frequency: 50 Hz
- Required inlet water pressure: 0,03-1 MPa
- Net weight: 39,5 kg

Dimensions

- Width: 596 mm
- Height: 819 mm
- Depth: 554 mm
- Maximum product height: 872 mm
- Length electrical cord: 1730 mm
- Depth with door open: 1191 mm
- Length inlet hose: 163 cm
- Length outlet hose: 200 cm

Logistic information

- Packaging width: 640 mm
- Packaging height: 890 mm
- Packaging depth: 680 mm
- Gross weight: 42,5 kg
- Product code: 740002
- EAN code: 3838782619724
- Market: Domestic



DW60 Built-in dishwasher XL

