

**Series 6, Integrated Design Hood, 90 cm, clear glass black printed DBB97AM60A**



**Perfectly integrated design rangehood with extendable glass visor for superior extraction.**

- **Seamless integration:** thanks to flush installation design hood is almost invisible in an upper cabinet.
- **Flexibility:** customise your kitchen's size and style with our flexible ventilation systems.
- **Glass panel with integrated TouchSelect control:** an automatic recognition of the glass panel position enables automatical operation of power level and light.
- **Expanded storage space:** the hood can hold up to 10 kg on each side. And even left and right beside the chimney shelves can be placed.
- **Silent:** maximum extractor performance with little noise

DWZ6IB1B4	Clean Air Standard odor filter (repl.)
DWZ6IB1I4	Clean Air Standard recirculation kit
DWZ1IX1B6	Clean Air Plus odor filter (replacement)
DWZ1IX1C6	Clean Air Plus recirc. kit external
DWZ0ITOP0	Long Life odor filter (replacement)
DWZ1IB6K1	Chimney extension 450-854 mm
DWZ1IB6N1	Chimney extension 187-360 mm
DWZ1IT1D1	Long Life recirculation kit external

Typology:	Built-in/Built-under
Length electrical supply cord:	130.0 cm
Min. required niche size for installation (HxWxD):	340mm x 860.0mm x 300mm mm
Height of product, without chimney:	60 mm
Minimum distance above an electric cooktop:	600 mm
Minimum distance above a gas cooktop:	650 mm
Net weight:	13.5 kg
Type of control:	Electronic
Number of power settings:	3-stages + intensive setting
Max. air extraction:	460 m <sup>3</sup> /h
Boost position output recirculating:	652 m <sup>3</sup> /h
Max. air recirculation:	451 m <sup>3</sup> /h
Boost position air extraction:	749 m <sup>3</sup> /h
Number of lights:	3
Noise level:	63 dB(A) re 1pW
Diameter of air outlet:	150 / 120 mm
Grease filter material:	Washable stainless steel
EAN code:	4242005307456
Connection rating:	259 W
Voltage:	220-240 V
Frequency:	50 Hz
Plug type:	AU plug
Installation typology:	Built-in



## **Series 6, Integrated Design Hood, 90 cm, clear glass black printed DBB97AM60A**

### **Perfectly integrated design rangehood with extendable glass visor for superior extraction.**

#### **Design**

- Glass panel with touch control for an easy operation and enhanced vapor capture.
- Flush-fitted installation for a seamless integration in wall cupboards.
- Space efficient, compact design for extra storage possibilities on the hood and up to max. 10 kg storage weight per side.
- The fan and light are automatically turned on and off by opening and closing the glass panel.
- The light can also be independently turned on and off when the glass panel is closed by quick hand touch on control area.

#### **Comfort**

- Electronic controls via TouchControl with Electronic display
- 3 power settings plus intensive setting
- Intensive setting with automatic switch back to previous setting
- Intensive operation automatic revert - 6min
- 3 x 2 W LED
- Colour Temperature: 3500 K
- Light Intensity: 517 lux
- Suitable for ducted or re-circulated extraction
- For recirculated extraction various recirculation kits are available as optional accessories.

#### **Cleaning**

- Dishwasher safe metal grease filters
- Stainless steel filter covers
- Easy to clean smooth surfaces and materials.

#### **Performance**

- Extraction rate according to EN 61591 ø 15 cm: max. Normal use 460 m<sup>3</sup>/h. Intensive 749 m<sup>3</sup>/h
- Noise level according to EN 60704-3 exhaust air:
  - Max. normal use:63dB(A) re 1 pW
  - Intensive:73 dB(A) re 1 pW
  - Noise min./max. Normal Level: 50/63 dB
- With the Clean Air Plus recirculation kit (available as accessory) your appliances reaches:
  - Extraction rate in recirculation mode: Max. normal use:451m<sup>3</sup>/h
  - Intensive:652m<sup>3</sup>/h
  - Noise level in recirculation mode: Max. normal use:67dB(A) re 1 pW
  - Intensive:74 dB(A) re 1 pW

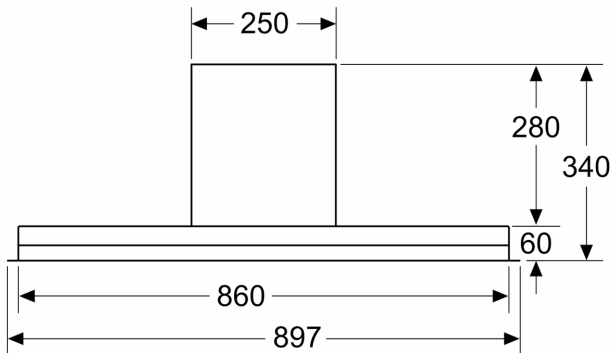
#### **Planning and installation information**

- Appliance dimensions (HxWxD): 340 x 897 x 298 mm
- Installation dimensions (HxWxD): 340 x 860 x 300 mm
- Cupboard 90 cm
- Diameter pipe Ø 150 mm (Ø 120 mm enclosed)
- Please reference the built-in dimensions provided in the installation drawing

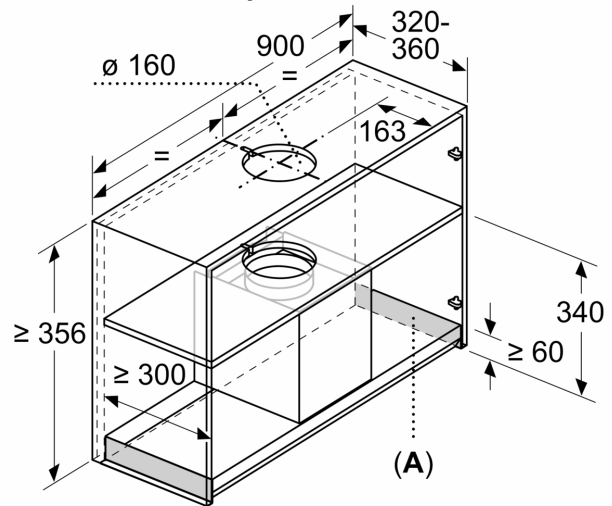
- Integrated Design Hood comfort installation: easy installation system
- Suitable for installation in bottomless wall cupboards.
- Enclosed spacers for installation in wall cupboards with maximum depth of up to 360 mm.
- Enclosed mats for protection against scratches and dirt of storage space on hood sides.
- For installation in higher wall cupboards chimney extensions are available as optional accessories.
- Chimney extensions are compatible with the available recirculation kits.
- Electrical cable length 1.3 m

**Series 6, Integrated Design Hood, 90 cm, clear glass black printed  
DBB97AM60A**

measurements in mm  
**Front view**

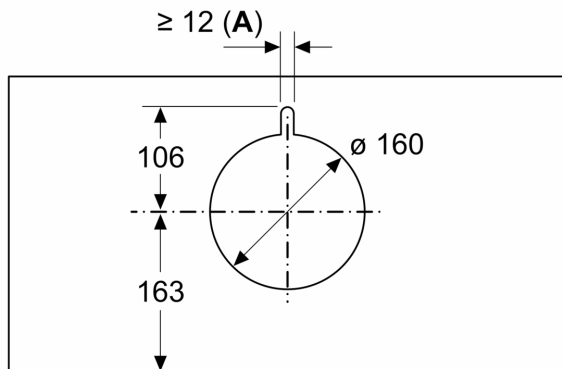


measurements in mm  
**Installation example**



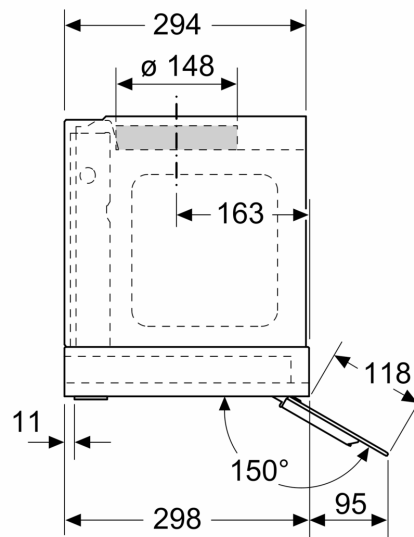
**A: Area without hinges**

measurements in mm

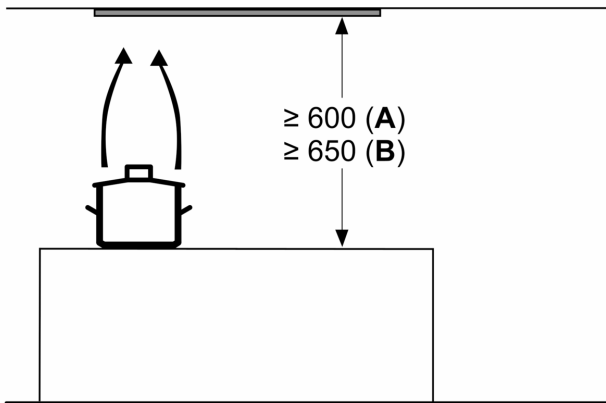


**A: Cable bushing**

measurements in mm  
**side view**



Measurements in mm



From upper edge of pan support

**A:** Electric  
**B:** Gas