

N 50, WALL-MOUNTED CANOPY RANGEHOOD, 90 CM, BLACK  
D94BHM1S5



The coordinating and stylish Neff canopy rangehood is modern in design and keeps up with your cooking.

- ✓ Touch Control – An integrated flat surface control panel for smooth operation with a fingerswipe.
- ✓ Intensive speed setting: increases the extraction rate when the steam gets intense
- ✓ High Extraction Rate: ensures a clear view while cooking thanks to an efficient motor technology
- ✓ LED Lighting – Clear illumination while you cook.
- ✓ Reduced Noise – Our optimised motor guarantees a quiet cooking experience

Z50XP0X0	Long Life odor filter (replacement)
Z51DXA0X0	Standard odor filter (replacement)
Z51DXB1X4	Clean Air Standard odor filter (repl.)
Z51DXI1X4	Clean Air Standard recirculation kit
Z51DXI1X6	Clean Air Plus recirculation kit
Z51DXU0X0	Standard recirculation kit
Z51FXJ0X0	Long Life recirculation kit
Z53XXB1X6	Clean Air Plus odor filter (replacement)

Typology:	Wall-mounted
Length electrical supply cord:	130.0 cm
Height of the chimney:	583-912/583-1022 mm
Height of product, without chimney:	53 mm
Minimum distance above an electric cooktop:	600 mm
Minimum distance above a gas cooktop:	650 mm
Net weight:	13.4 kg
Type of control:	Electronic
Number of power settings:	3-stages + intensive setting
Maximum output air extraction:	372 m <sup>3</sup> /h
Boost position output recirculating:	441 m <sup>3</sup> /h
Maximum output recirculating air:	337 m <sup>3</sup> /h
Boost position air extraction:	604 m <sup>3</sup> /h
Number of lights:	2
Noise level:	60 dB(A) re 1 pW
Diameter of air outlet:	120 / 150 mm
Grease filter material:	Washable aluminium
EAN code:	4242004268826
Connection Rating:	220 W
Fuse protection:	10 A
Voltage:	220-240 V
Frequency:	50; 60 Hz
Plug type:	Gardy plug w/ earthing
Installation typology:	Wall-mounted



N 50, WALL-MOUNTED CANOPY RANGEHOOD, 90  
CM, BLACK  
D94BHM1S5

- Energy Efficiency Class: B (at a range of energy efficiency classes from A++ to E)
- Average Energy Consumption: 48.5 kWh/year
- Blower Efficiency Class: A\*
- Lighting Efficiency Class: A
- Grease Filtering Efficiency Class: C

#### Design & Innovation

- 90 cm Chimney hood
- Appliance colour: black
- TouchControl for power and light

#### Safety and Quality

##### Power and Mode of Operation

- Extraction rate exhaust air according to EN 61591:
  - max. normal use 372 m<sup>3</sup>/h, intensive 604 m<sup>3</sup>/h
- Noise min./max. Normal Level: 48/60 dB
- TouchControl (3 power levels plus intensive setting) with Electronic display
- Automatic intensive revert setting - 6 min
- With the Clean Air Plus recirculation kit (available as accessory) your appliances reaches:
  - Extraction rate in recirculation mode: Max. normal use: 337 m<sup>3</sup>/h
  - Intensive: 441 m<sup>3</sup>/h
  - Noise level in recirculation mode: Max. normal use: 70 dB(A) re 1 pW
  - Intensive: 74 dB(A) re 1 pW

##### Heating Functions

##### Cleaning

- Dishwasher safe metal grease filters

##### Convenience

- Suitable for ducted extraction and recirculation
- Accessories required for recirculated extraction: Recirculating kit

##### Dimensions (HxWxD)

- Dimensions exhaust air (HxWxD): 635-965 x 900 x 500 mm
- Dimensions recirculating (HxWxD): 635-1075 x 900 x 500 mm
- Dimensions recirculating with CleanAir module (HxWxD):
  - 703 x 900 x 500 mm - mounting with outer chimney
  - 833-1163 x 900 x 500 mm - mounting with telescopic chimney
- Diameter pipe Ø 150 mm (Ø 120 mm enclosed)

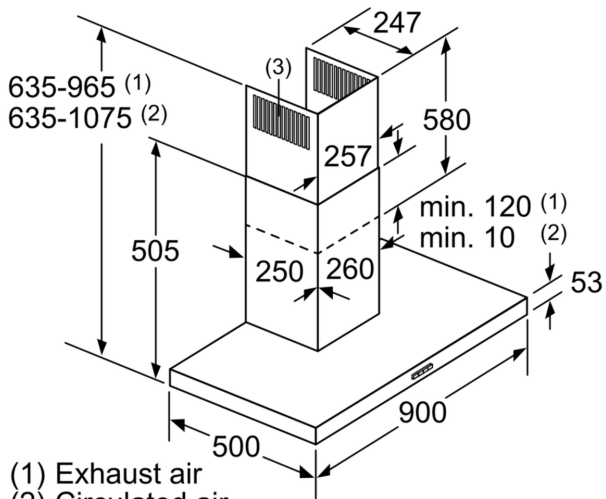
##### Technical Information

- Power rating: 220 W
- Electrical cable length 1.3 m
- Wall Hood black
- Appliance width: 900 mm
- For wall mounted installation
- Electronic controls
- T34-NE3A
- Electronic controls with low-lift push buttons

- 3 power levels plus intensive setting via TouchControl
- Capacitor energy efficient
- 2 x 1.5W LED
- Extraction rate exhaust air according to EN 61591: max. 604 m<sup>3</sup>/h
- Maximum extraction 604 m<sup>3</sup>/h
- Noise level according to EN 60704-3 und EN 60704-2-13 at max. normal use exhaust air: 60 dB(A) re 1 pW (47 dB(A) re 20 µPa sound pressure)
- Max. extraction rate: 604 m<sup>3</sup>/h

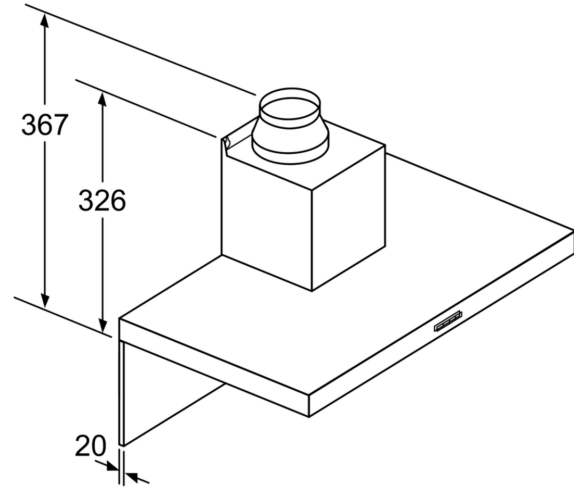
\* In accordance with the EU-Regulation No 65/2014

N 50, WALL-MOUNTED CANOPY RANGEHOOD, 90  
CM, BLACK  
D94BHM1S5



- (1) Exhaust air  
(2) Circulated air  
(3) Air outlet – slots for exhaust air to be mounted facing down

measurements in mm



If a back panel is used, the design of the appliance must be considered.

measurements in mm

