

N 90
D57ML67N1B
70 CM FULLY INTEGRATED RANGEHOOD



The integrated rangehood: offers a sleek and seamless design in the kitchen with fully integrated installation.

- ✓ Extraction rate: at 770 m³/h, it quickly ensures optimal kitchen air quality.
- ✓ LED lighting: for perfect, energy-efficient illumination of the cooktop.
- ✓ Intensive speed setting with reset: automatically resets the hood to regular speed setting after 6 min.

Features

Technical Data

Typology : Traditional
 Approval certificates : Australia Standards, CE, VDE
 Length electrical supply cord (cm) : 150
 Required niche size for installation (HxWxD) : 418mm x 676mm x 264mm
 Minimum distance above an electric hob : 500
 Minimum distance above a gas hob : 650
 Net weight (kg) : 10.170
 Type of control : Electronic
 Maximum output air extraction (m³/h) : 570
 Boost position output recirculating (m³/h) : 380
 Maximum output recirculating air (m³/h) : 310
 Boost position air extraction (m³/h) : 770
 Number of lights : 2
 Noise level (dB) : 64
 Diameter of air outlet (mm) : 120 / 150
 Grease filter material : Washable aluminium
 EAN code : 4242004237938
 Connection Rating (W) : 174
 Current (A) : 3
 Voltage (V) : 220-240
 Frequency (Hz) : 50
 Plug type : GB plug
 Installation typology : Built-in

Optional accessories

Z5135X1	Active carbon filter
Z5135X3	Recirculating kit



4 242004 237938

N 90
D57ML67N1B
70 CM FULLY INTEGRATED RANGEHOOD

Features

Design & Innovation

- For installation in a kitchen cabinet
- Appliance colour: Stainless steel
- Rim ventilation
- Filter cover glass
- Glass plate clear glass black printed

Power and Mode of Operation

- Electronic controls
- Push button controls (3 power levels plus intensive setting) with Electronic display
- Extraction rate according to EN 61591 ø 15 cm:
max. Normal use 570 m³/h
Intensive 770 m³/h
- Noise min./max. Normal Level: 46/64 dB
Noise max. Intensive setting: 70 dB
- Suitable for ducted extraction and recirculation
- Accessories required for recirculated extraction: Recirculating kit

Comfort & Convenience

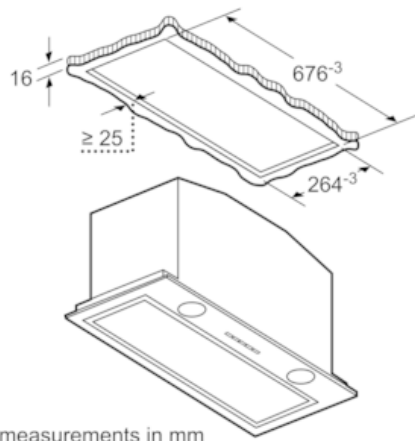
- Automatic intensive revert setting - 6 min
- Automatic run on time - 30 min
- Noise level according to EN 60704-3 und EN 60704-2-13 exhaust air:
Max. normal use: 64 dB(A) re 1 pW (50 dB(A) re 20 µPa sound pressure)
Intensive: 70 dB(A) re 1 pW (56 dB(A) re 20 µPa sound pressure)
- EfficientDrive BLDC technology
- 2 x 1 Watt LED lights
- Dishwasher safe metal grease filters
- Saturation indicator for grease filters

Technical Information

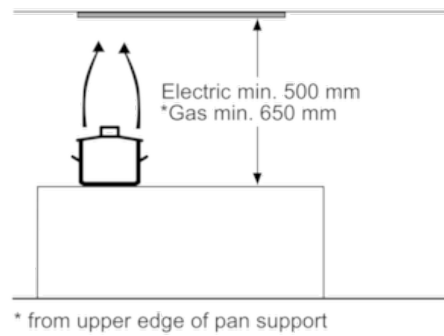
- Built-in dimensions: width: 68 cm, depth: 26 cm
- Dimensions exhaust air (HxWxD): 418-418 x 700 x 300 mm
- 120 or 150 mm tube connection diameter
- Power rating: 272 W
- Average Energy Consumption: 30.3 kWh/year
- Electrical cable length 1.5 m

N 90
 D57ML67N1B
 70 CM FULLY INTEGRATED RANGEHOOD

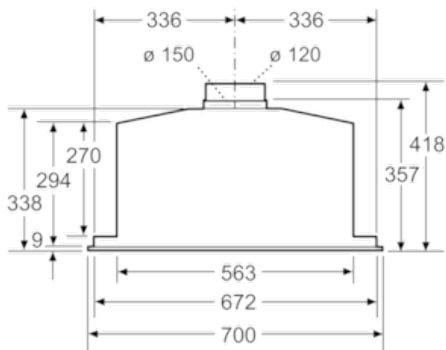
Dimensioned drawings



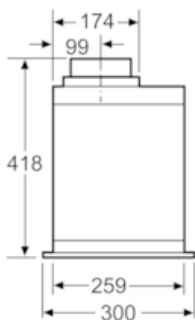
measurements in mm



measurements in mm



measurements in mm



measurements in mm