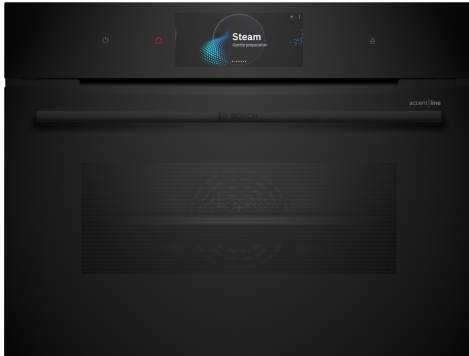


## Series 8, Built-in compact oven with steam function, 60 x 45 cm, Black CSG958DB1



HEZ530000 Half tray, HEZ531010 Baking tray, non-stick ceramic coated, HEZ532010 Universal pan, non-stick ceramic coated, HEZ617000 Pizza pan, anthracite enamelled, HEZ629070 Air Fry & Grill tray, anthracite, HEZ631070 Baking tray, anthracite enamelled, HEZ632070 Multipurpose pan, anthracite enamelled, HEZ638D00 Full ext rails, level independent, steam, HEZ660050 Cover Strip, HEZ660060 Strip, HEZ664000 Baking and roasting grid (steam), HEZ66D52 2 steamcontainer(punched/unpunched)sizeM, HEZ6BMA00 Assembly kit for vertical installation, HEZ915003 Glass roasting dish, 5,4 L, HEZG0AS00 Connecting cable 3m

- **TFT Touch Display Pro:** perfect control thanks to an innovative Digital Control Ring and full-surface TFT touchscreen.
- **Air Fry Function:** for perfectly fried foods, such as vegetables and chips.
- **Eco Clean Direct:** easy cleaning thanks to a coating that breaks down grease while you bake.
- **Steam Function with Sous-Vide:** for gentle, healthy food preparation that keeps food moist throughout.
- **Added Steam Function:** food turns out crispy on the outside and juicy on the inside.

Color / Material Front: ..... Black  
 Built-in / Free-standing: ..... Built-in  
 Door opening: ..... Drop down  
 Cleaning : .Hydrolytic, Catalytic liners (all sides), Catalytic liners (all sides)  
 Control Panel Material: ..... Glass  
 Door Material: ..... Glass  
 Dimensions (HxWxD): ..... 455 x 594 x 548 mm  
 Dimensions of the packed product (HxWxD): ..... 520 x 660 x 690 mm  
 Min. required niche size for installation (HxWxD): 450-455 x 560-568 x 550 mm  
 Cavity dimensions: ..... 235 x 480 x 415 mm  
 Usable volume of cavity: ..... 47 l  
 Number of interior lights: ..... 1  
 Net weight: ..... 36.2 kg  
 Gross weight: ..... 38.5 kg  
 EAN code: ..... 4242005326211  
 Connection rating: ..... 3300 W  
 Fuse protection: ..... 16 A  
 Voltage: ..... 220-240 V  
 Frequency: ..... 50; 60 Hz  
 Length electrical supply cord: ..... 150.0 cm



## Series 8, Built-in compact oven with steam function, 60 x 45 cm, Black CSG958DB1

### Heating Functions

- Compact steam oven with 24 heating methods: 4D HotAir, Top/bottom heating, Hot air grilling, Full width grill, Half width grill, Pizza setting, Bottom heating, Intensive heat, Slow cooking, Preheat ovenware, Drying, Keep warm, Hotair gentle, Conventional heat gentle, AirFry, Pure steaming, Reheating, Dough Proving, Defrost setting, sous-vide cooking, hotair grilling + steam, keep warm + steam, 4D hotAir + steam, Top/bottom heat + steam
- Temperature range 30 °C - 250 °C.
- Steam Function Plus 120 °C
- Steam Function Plus 120 °C
- Cavity volume: 47 net usable litres

### Hook-in racks / rails

- Number of shelf levels: 3
- 1 set of level independent telescopic rails (Clip-on rail), fully extendable, safety stop function

### Design

- Carbon Black Design
- Anthracite enamel cavity with 3 shelf positions
- Touch control
- Digital Control Ring

### Cleaning

- EcoClean Direct: coating of ceiling, back panel, side liners
- Cleaning Assistance (HydroClean program)

### Convenience

- Automatic temperature proposal, Residual heat indicator, Actual temperature display, Meat probe function
- Air Fry Function
- There are different steam intensities selectable: steam level high, steam level middle, steam level low
- Steam Boost - add for 3min intensive steam with a touch of a button.
- PerfectRoast Plus multipoint meat probe
- PerfectBake plus
- Bosch Assist - a menu of dishes for automatic cooking
- HomeConnect
- Oven Assistant with Voice Control
- Automatic rapid heat function
- Drop down door
- Integrated cooling fan
- LED lighting
- Electronic clock/timer with end time programming
- Water tank empty indicator
- Location of the steam generator is outside of the cavity

### Accessories

- 1 x enamel baking tray, 1 x Steam container, punched, size M, 1 x steam container, punched, size XL, 1 x Steam container, unpunched, size M, 1 x grid, 1 x sponge, 1 x universal pan

### Safety and Environment

- Mechanical safety locking device, Child lock, Automatic safety switch off function, Residual heat indicator, Start button, Door

- contact switch
- Triple glazed door
- Full glass inner door

### Technical Info

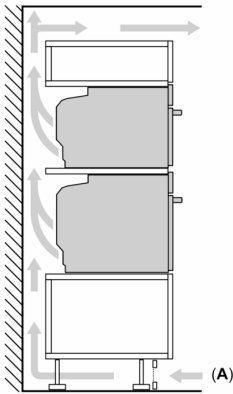
- Length of mains cable: 150 cm
- Nominal voltage: 220 - 240 V
- Total connected load electric: 3.3 KW

### Dimensions

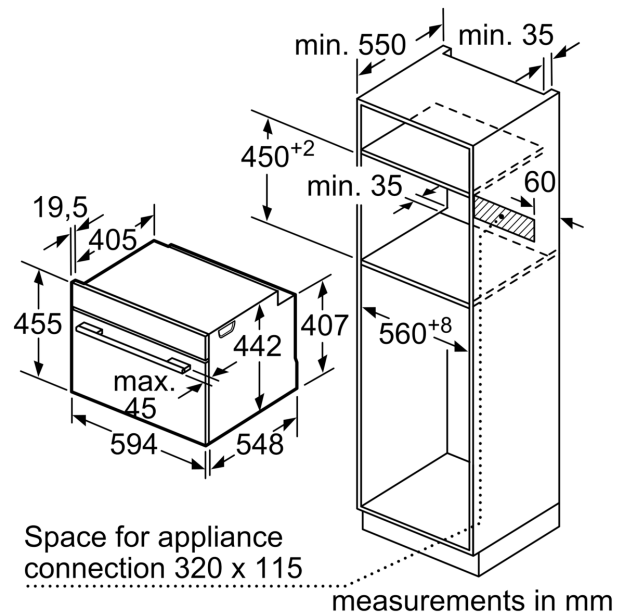
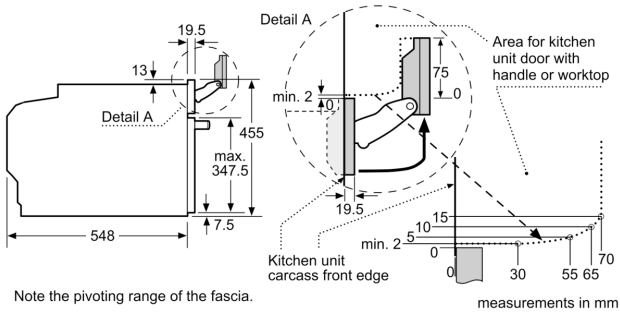
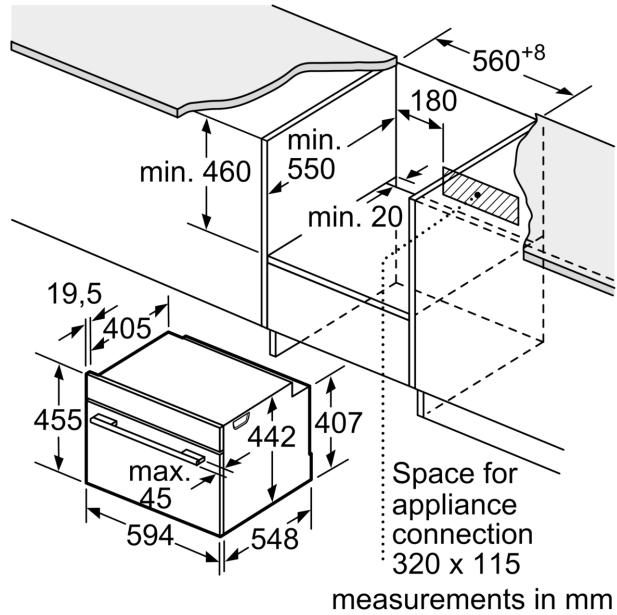
- Appliance dimensions (HxWxD): 455 mm x 594 mm x 548 mm
- Installation dimensions (HxWxD): 450 mm - 455 mm x 560 mm - 568 mm x 550 mm
- Please reference the built-in dimensions provided in the installation drawing

## Series 8, Built-in compact oven with steam function, 60 x 45 cm, Black CSG958DB1

Installing two appliances on top of each other  
Air exchange

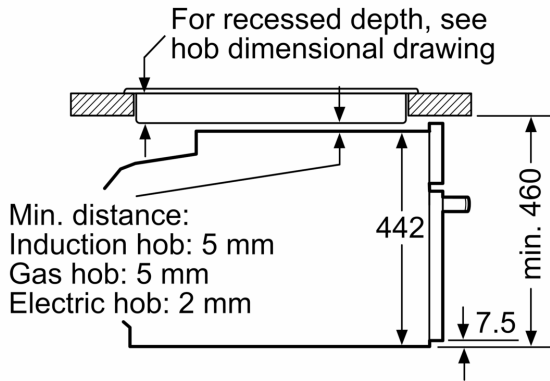


A: Air inlet  $\geq 200 \text{ cm}^2$



### Installation with a hob.

If the compact appliance will be installed underneath a hob, the following worktop thicknesses (including substructure if necessary) must be taken into account.



measurements in mm

Hob type	min. worktop thickness	
	fitted	flush
Induction hob	42 mm	43 mm
Full surface Induction hob	52 mm	53 mm
Gas hob	32 mm	43 mm
Electric hob	32 mm	35 mm