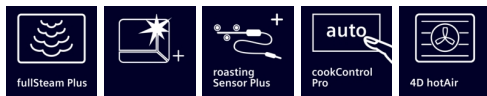


iQ700, Built-in compact oven with steam function, 60 x 45 cm, Black CS958GCB1



The intelligent fullSteam Plus oven with Cooking Assistant for intuitive programme setting and roastingSensor Plus for excellent results.

- ✓ fullSteam Plus with sous-vide – For healthy and great-tasting meals.
- ✓ Far less oven cleaning – ecoClean Plus.
- ✓ roastingSensor Plus – Perfect roasting results.
- ✓ cookControl Pro – Excellent results, whatever the recipe or circumstances.
- ✓ 4D hotAir – Even heat distribution for excellent results on up to four levels at once.

Features

Technical Data

Color / Material Front : Black
 Built-in / Free-standing : Built-in
 Door opening : Drop down
 Cleaning : EcoClean program, Hydrolytic
 Control Panel Material : Glass
 Door Material : Glass
 Dimensions (HxWxD) : 455x594x548 mm
 Dimensions of the packed product (HxWxD) : 540x650x690 mm
 Required niche size for installation (HxWxD) : 450-455 x 560-568 x 550 mm
 Cavity dimensions : 235 x 480 x 415 mm
 Usable volume of cavity : 47 l
 Number of interior lights : 1
 Net weight : 35.8 kg
 Gross weight : 38.2 kg
 EAN code : 4242003901519
 Connection Rating : 3300 W
 Fuse protection : 16 A
 Voltage : 220-240 V
 Frequency : 50; 60 Hz
 Length electrical supply cord : 150 cm



Included accessories

1 x enamel baking tray, 1 x grid, 1 x universal pan, 1 x steam container, punched, size XL, 1 x sponge, 1 x steam container, punched, size M, 1 x steam container, unpunched, size M

Optional accessories

| | |
|----------|--|
| HZ6BMA00 | Assembly kit for vertical installation |
| HZ638D00 | Full ext rails, level independent, steam |
| HZ631070 | Baking tray, anthracite enamelled |
| HZ629070 | Air Fry & Grill tray |

iQ700, Built-in compact oven with steam function, 60 x 45 cm, Black CS958GCB1

Features

Heating Functions

- Compact steam oven with 24 heating methods: 4D hotAir, Top/bottom heating, Hot air grilling, Full width grill, Half width grill, Pizza setting, coolStart (deep-frozen food special), Bottom heating, Intensive heat, Low temperature cooking, Plate warming setting, Keep Warm, hotAir gentle, Conventional heat gentle, Air fry, FullSteam, Reheating, Dough Proving, Defrost, sous-vide cooking, hotair grilling + steam, keep warm + steam, 4D hotAir + steam, Top/bottom heat + steam
- Temperature range 30 °C - 250 °C.

Racks and Rails

- Number of shelf levels: 3
- varioClip rails Plus, full extension, with Stop function

Design

- studioLine Black Steel Design
- studioLine Glass handle
- TFT-Touchdisplay Pro
- Touch control
- Cavity inner surface: enamel
- Cavity volume: 47 net usable litres

Cleaning

- ecoClean: coating of ceiling, back panel, side liners
- humidClean Plus program - easy cleaning of a lightly soiled cooking cavity

Convenience

- Temperature proposal, Residual heat indicator, Actual temperature display, Meat probe function
- There are different steam intensities selectable: steam level high, steam level middle, steam level low
- steamBoost - add for 3min intensive steam with a touch of a button.
- roastingSensor Plus multipoint meat probe
- cookControl Pro
- HomeConnect
- Cooking Assistant
- coolStart - eliminates preheating for frozen foods
- Automatic rapid heat up
- Oven door with SoftOpen and SoftClose door
- Integrated cooling fan
- LED light
- Electronic clock and timer
- Water tank empty indicator
- Location of the steam generator is outside of the cavity

Accessories

- 1 x steam container, punched, size XL, 1 x steam container, unpunched, size M, 1 x grid, 1 x sponge, 1 x universal pan, 1 x enamel baking tray, 1 x steam container, punched, size M

Safety Features

- Child lock, Automatic safety switch-off function, Residual heat indicator, Start button, Door contact switch
- Triple glazed door with heat reflective glass
- Full glass inner door

Technical Information

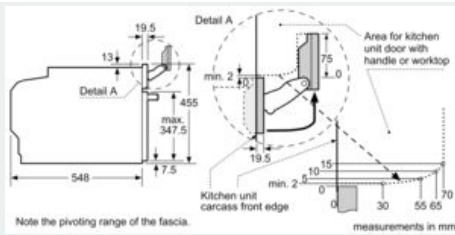
- Length of mains cable: 150 cm
- Nominal voltage: 220 - 240 V
- Total connected load electric: 3.3 KW

Dimensions

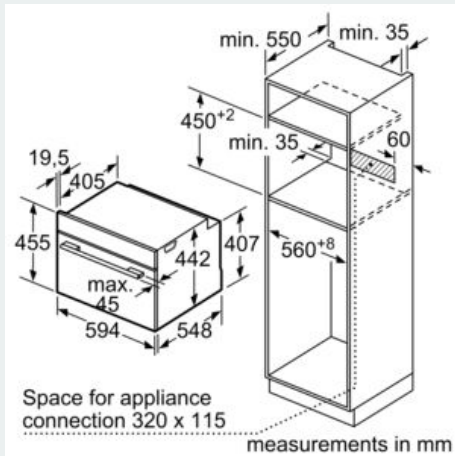
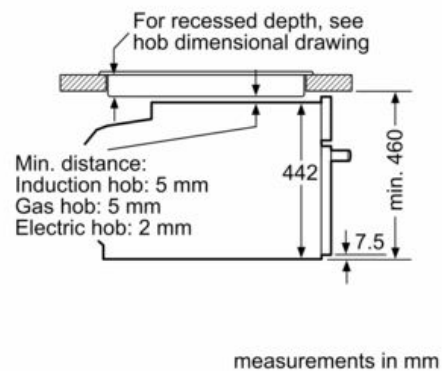
- Appliance dimensions (HxWxD): 455 mm x 594 mm x 548 mm
- Installation dimensions (HxWxD): 450 mm - 455 mm x 560 mm - 568 mm x 550 mm
- Please reference the built-in dimensions provided in the installation drawing
- Energy efficiency rating (acc. EU Nr. 65/2014): A+(at a range of energy efficiency classes from A+++ to D)
- Energy consumption per cycle in conventional mode: 0.73 kWh
- Energy consumption per cycle in fan-forced convection mode: 0.61 kWh
- Number of cavities: 1
- Heat source: electrical
- Cavity volume: 47 net usable litres
-

iQ700, Built-in compact oven with steam function, 60 x 45 cm, Black CS958GCB1

Dimensioned drawings

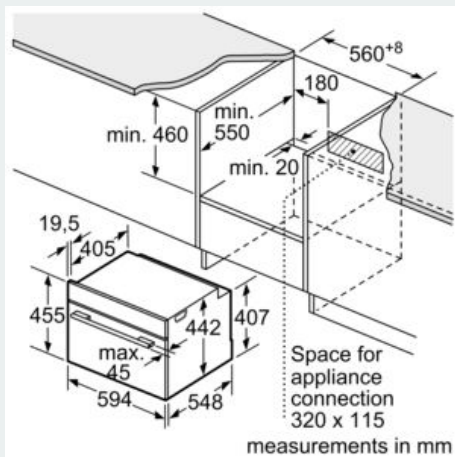


Installation with a hob.

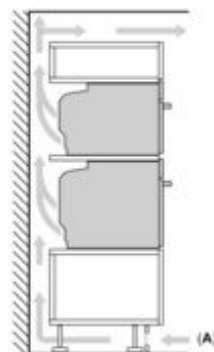


If the compact appliance will be installed underneath a hob, the following worktop thicknesses (including substructure if necessary) must be taken into account.

| Hob type | min. worktop thickness | |
|----------------------------|------------------------|-------|
| | fitted | flush |
| Induction hob | 42 mm | 43 mm |
| Full surface Induction hob | 52 mm | 53 mm |
| Gas hob | 32 mm | 43 mm |
| Electric hob | 32 mm | 35 mm |



Installing two appliances on top of each other Air exchange



A: Air inlet $\geq 200 \text{ cm}^2$