

# CPF9IP\*\*

## 90CM PORTOFINO PYROLYTIC FREESTANDING COOKER

**MADE IN ITALY**  
Since 1948



reddot award 2017  
winner

### THERMOSEAL

The seal of Smeg's quality, technical excellence and taste: succulent roasts, crisp pastry and impressive baking is achieved in Smeg's unique, perfectly controlled cooking environment. ThermoSeal maintains the perfect atmospheric balance in the cavity for optimum cooking conditions.

### OPTIMAL ENERGY EFFICIENCY

This new cavity is characterised by its unique shape, with rounded corners and smooth, uniform walls, for maximum thermal insulation and optimal energy performance. Unique in its class, the large oven is categorised in energy efficiency class A+ (EU standard).

### 126L CAPACITY

When entertaining, the massive capacity of Smeg's 90cm Freestanding Cookers makes catering simple. The generous 126 litres mean two roasts can be cooked side-by-side, with a huge tray of vegetables at the same time! Healthy meals are ready in just 30 minutes.

### RAPID PREHEAT

With rounded corners and smooth, uniform walls, the new cavity ensures maximum thermal insulation and helps to reduce pre-heating time. The Portofino takes just six minutes to reach a temperature of 200 °C - a time saving of 50% compared to a standard oven.

### SOFT CLOSE DOOR

The new soft-close mechanism on Smeg's oven doors ensures a two-stage soft and quiet close. Smeg's quality hinges also ensure the door will not drop on opening, an intrinsic safety feature.

**Dimensions** 898mmW x 600mmD x 934mm-964mmH

**Power** 220-240V, 50/60Hz  
11.4kW, 46A

**Warranty** Five years parts and labour

### Colours Available



White



Sunshine Yellow



Anthracite



Coral Red



Black



Olive Green



Burnt Orange



Stainless steel

### Optional Matching Rangehood



White



Sunshine Yellow



Anthracite



Coral Red



Black



Olive Green



Burnt Orange



Stainless steel



# CPF9IP\*\*

## 90CM PORTOFINO PYROLYTIC FREESTANDING COOKER

MADE IN ITALY  
Since 1948

Installation Freestanding  
Dimensions 898mmW x 600mmD x  
934mm – 964mmH

### ELECTRIC OVEN

**Features** 126L capacity  
16 total functions  
5 cooking levels  
Temperature range 50-260°C  
Fully programmable  
Pyrolytic cleaning  
4 x 40W halogen lighting  
Safety - thermal protection & cool door  
Storage compartment

**Supplied Accessories** 2 x Chrome wire shelf  
2 x 40mm enamelled baking tray  
1 x Chrome grill insert  
1 x GTIP-1 - Partial telescopic guides  
1 x Rotisserie kit  
1 x Front kick plate  
2 x Side kick plates

**Optional Accessories** Pizza Stone (PPR9)  
Pizza Shovel (PALPZ)  
Telescopic Guides (GT1T-2)

**Electric grill** 2900W

### INDUCTION HOB

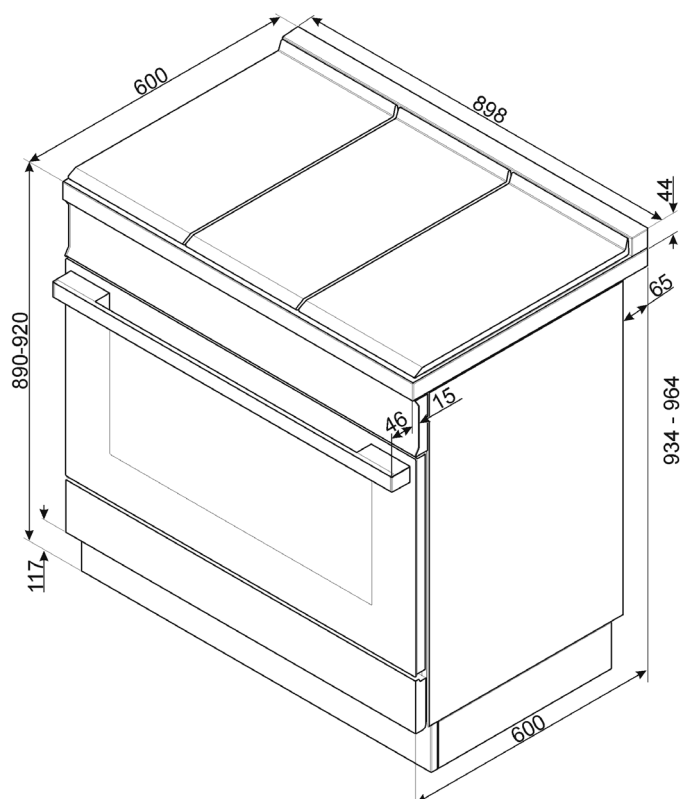
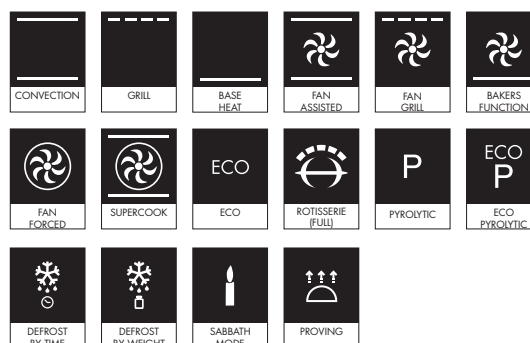
**Capacity** 5 zones  
Front left 145mmØ 1400W/2200W  
Rear left 180mmØ 1850W/3000W  
Centre 270mmØ 2600W/3700W  
Front right 145mmØ 1400W/2200W  
Rear right 210mmØ 2300W/3700W

**Safety** Thermal protection  
Residual heat indicators

**Power** 220-240V, 50/60Hz  
11.4kW, 46A

**Warranty** Five years parts and labour

### OVEN FEATURES



**CPF9IP\*\***

90CM PORTOFINO PYROLYTIC  
FREESTANDING COOKER

MADE IN ITALY  
Since 1948



**Dimensions** 898mmW x 600mmD x 934mm-964mmH

**Power** 220-240V, 50/60Hz  
11.4kW, 46A

**Warranty** Five years parts and labour

