

FREESTANDING SINGLE UNITS

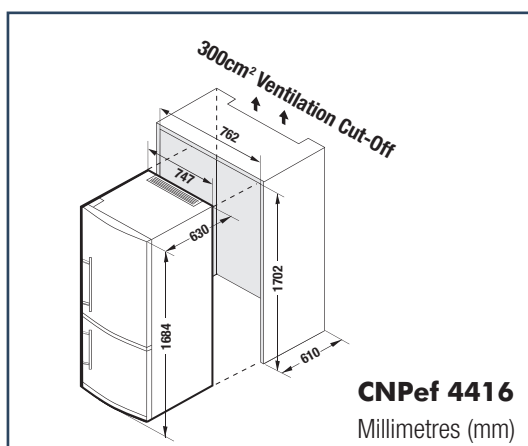
CNPef 4416



LIEBHERR

Quality, Design and Innovation

LIEBHERR FREESTANDING SINGLE REFRIGERATOR/FREEZER CNPef 4416



Whilst every effort is made to ensure all specifications and information in this flyer are correct at time of printing, Andi-Co Australia Pty. Ltd. reserve the right to make changes without notification. Where actual appliance measurements, specifications and ratings are crucial, we recommend that the actual appliance installation instructions that accompany each appliance be checked. Andi-Co Australia will not be liable for any loss.

Model	CNPef 4416
Type Finish	FS SmartSteel (Doors Only)
Energy consumption (kWh/yr) Star rating	350 3.5
Compressors	1
Total capacity litres (L) - Gross Net	387 359
Refrigerator Gross (L) Refrigerator Net (L)	288 277
Freezer Gross (L) Freezer Net (L)	99 82
MagicEye control system Display	SoftTouch LED
Child proof setting for display & temperature	•
LED standard lighting (fridge)	•
Door open warning signal	•
Temperature alarm	•
Malfunction warning signal	•

Refrigerator Features

Fruit & vegetable drawers	2
SuperCool	•
Sabbath mode	•
GlassLine shelves	•
Elegant holding columns	•
Egg tray	•
Automatic refrigerator defrosting	•

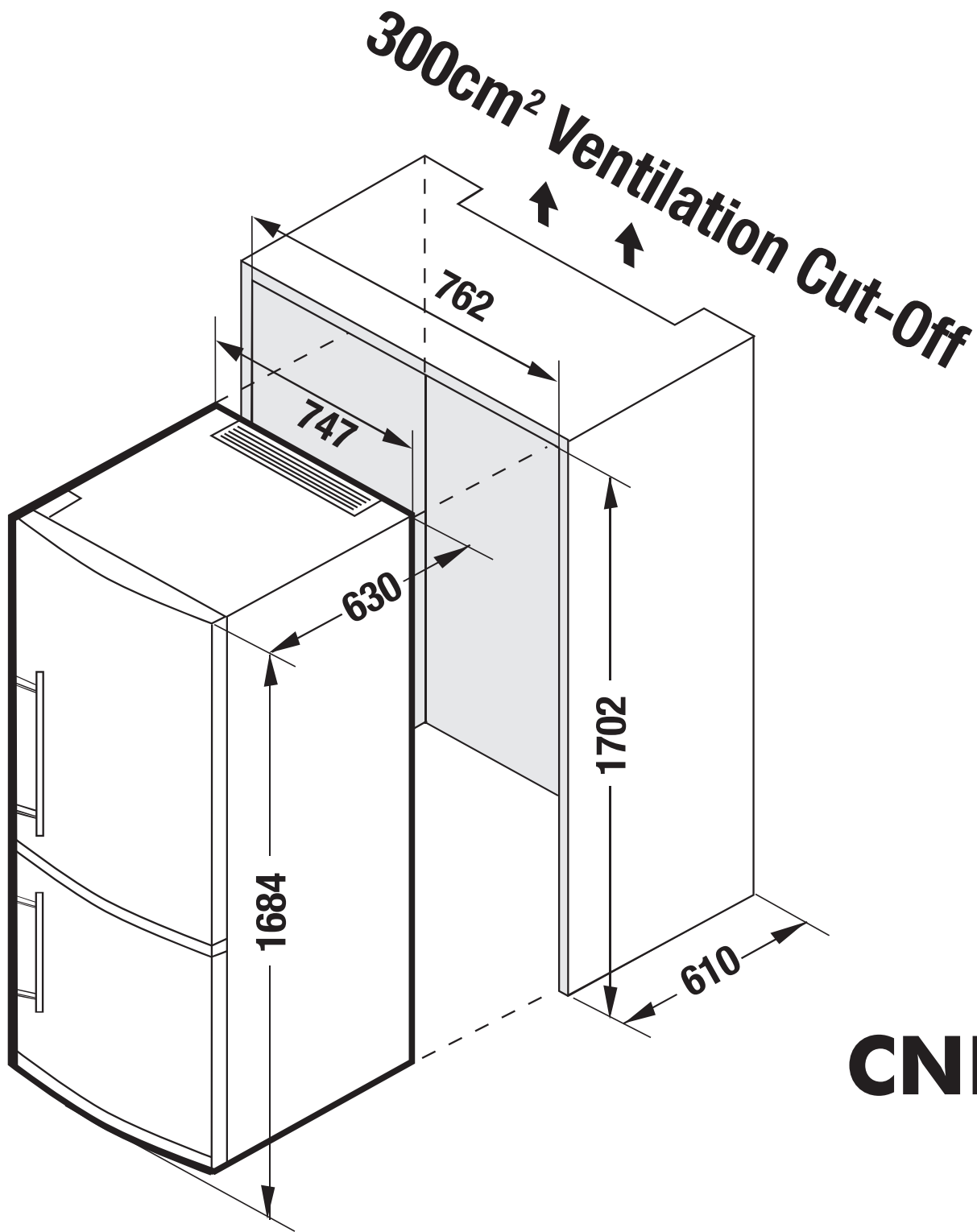
Freezer Features

Freezer defrosting	Frost Free
FrostSafe system with transparent drawers	•
Freezer drawers	2
SuperFrost	•
VarioSpace	•
24hr freezing capacity (kg)	8

Technical Information

Default hinge	Right
Voltage (V) Rated Current (A)	220-240 1.5
Made in	Austria

KEY: FS = Freestanding. Cavity clearance for freestanding units please allow min. 50 mm above the unit if there is no ventilation cut-out. Door hinging either right or left hand must be nominated for this model.



CNPef 4416
Millimetres (mm)