

# LA CORNUE

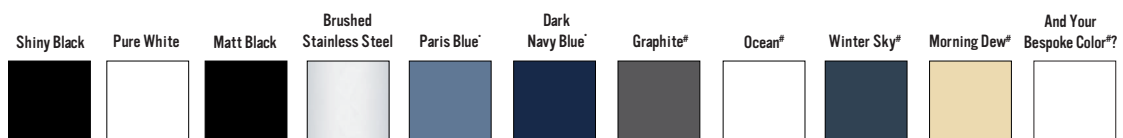
## CornuFé Range Cookers

110 cm Available in Dual Fuel



With a large array of colours and trims available, there are more than 300 options for you to create a unique cooker to suit your desires and your style.

*Price on request*



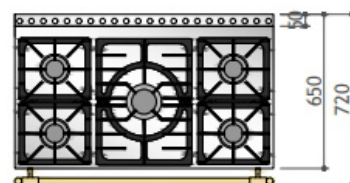
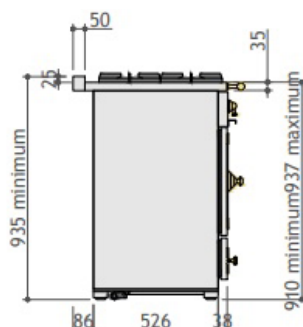
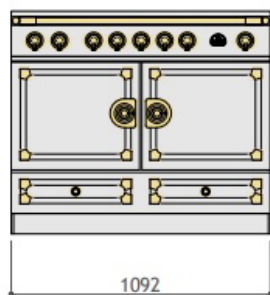
\*Run out \*Special order

# CornuFé Range Cooker Specifications

FEATURES	CORNUFE 110 DUAL FUEL
MODEL NUMBER	CFE110DF + COLOUR
WIDTH (MM)	1092
DEPTH EX   INC HANDLES (MM)	650   720
HEIGHT - UP TO HOTPLATE (MM)	910   937
HEIGHT - TO TOP OF PAN SUPPORTS (MM)	952   977
HOB RATINGS - MJ GAS (NATURAL   LPG)	1 X 20.2MJ   18.4MJ 3 X 13.3MJ   12.6MJ 1 X 6.5MJ   6.3MJ
SUPPLY PRESSURE - NATURAL   LPG	1.13KPA   2.75KPA
OPERATING PRESSURE - NATURAL   LPG	1.00KPA   2.54KPA
LPG CONVERSION KIT INCLUDED	YES
MAX. TOTAL CONNECTED LOAD (KW) @230V	5.14
ELECTRICAL CONNECTION (AMPS)	22.3
OVEN CAPACITY LITRES LH   RH >> LITRES BASED ON EUROPEAN STANDARDS   MEASUREMENTS	79   79
OVEN TEMPERATURE	80°C – 240°C
TRIM MATERIAL	SOLID BRASS OR NICKLE
OVEN FUEL LH   RH	ELECTRIC   ELECTRIC
OVEN TYPE LH   RH	MULTI FUNCTION   FAN
INTERNAL OVEN CAVITY W X D X H (MM) - LEFT	460 X 420 X 377
MAXIMUM TRAY SIZE W X D (MM) - LEFT (AIR MUST BE ABLE TO CIRCULATE)	417 X 322
INTERNAL OVEN CAVITY W X D X H (MM) - RIGHT	460 X 420 X 410
MAXIMUM TRAY SIZE W X D (MM) - RIGHT (AIR MUST BE ABLE TO CIRCULATE)	417 X 322
GRILL FUEL	ELECTRIC
GRIDDLE	OPTIONAL EXTRA SIT ON
WOK CRADLE	OPTIONAL EXTRA SIT ON
CAST IRON PAN SUPPORTS	YES
FLAME FAILURE SAFETY DEVICE	YES
ELECTRONIC IGNITION	UNDER KNOB
DOOR OPENING LH   RH	SIDE   SIDE
DOOR TYPE LH   RH	SOLID   SOLID
OVEN LIGHT (HALOGEN)	X2
STORAGE DRAWER (INTERNAL)	995MM W X 360MM D X 130MM H
FULL CAPACITY TELESCOPIC SHELF WITH RUNNERS (PAIR)	NOT AVAILABLE
OVEN BASE TRAY	X2
FLAT SHELVES	X2
DROP SHELVES	X2
DELUXE OVEN TRAY	X2
DELUXE OVEN TRAY TRIVET	X1
NO. OF SHELF LEVELS	5
<b>OVEN FUNCTIONS</b>	
BASE HEAT	LH
BROWNING ELEMENT	LH
CONVENTIONAL OVEN	LH
DEFROST	LH
FAN ASSISTED	LH
FANNED GRILLING	LH
FAN OVEN	LH & RH
<b>WEIGHT &amp; WARRANTY</b>	
WEIGHT (KG)	140
5 YEAR WARRANTY	YES
MADE IN	UK

## CHOOSE A TRIM BELOW

CHOOSE A COLOUR	BRUSHED NICKEL & STAINLESS STEEL (SS HANDRAIL)	POLISHED BRASS & STAINLESS STEEL (PB HANDRAIL)	POLISHED COPPER & STAINLESS STEEL (SS HANDRAIL)	POLISHED CHROME & STAINLESS STEEL (SS HANDRAIL)
SHINY BLACK	YES	YES	SPECIAL ORDER	N/A
PURE WHITE	YES	YES	SPECIAL ORDER	N/A
MATT BLACK	YES	YES	SPECIAL ORDER	N/A
BRUSHED STAINLESS STEEL	YES	YES	SPECIAL ORDER	N/A
PARIS BLUE (RUN OUT)	YES	N/A	N/A	N/A
DARK NAVY BLUE (RUN OUT)	YES	YES	N/A	N/A
GRAPHITE	SPECIAL ORDER	SPECIAL ORDER	N/A	SPECIAL ORDER
OCEAN	SPECIAL ORDER	SPECIAL ORDER	N/A	SPECIAL ORDER
WINTER SKY	SPECIAL ORDER	SPECIAL ORDER	N/A	SPECIAL ORDER
MORNING DEW	SPECIAL ORDER	SPECIAL ORDER	N/A	SPECIAL ORDER
BESPOKE			SPECIAL ORDER	



2 gas burners (2 x 13.3mj)  
1 single gas burner (20.2mj)  
2 gas burners (back burner 13.3mj, front burner 6.5mj)