

Product information sheet CATRIS-S Flexo

Item no. 527663

Benefits



- Classic lines flow into a semi-professional design and features
- Black matt surface finish to precisely match the surroundings
- Flexible black hose provides optimal range of motion
- Dual spray with integrated flow stop: easy switch from aerated stream to powerful rinse spray
- Precise magnetic holder ensures convenient hose docking
- Low height ideally combines with kitchen wall units

Colours



Available colours:

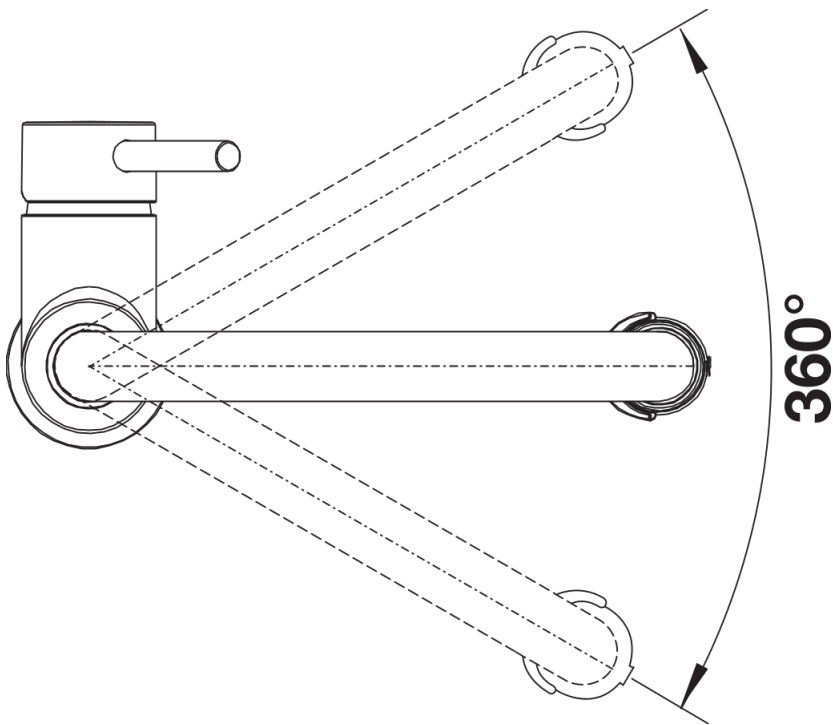
black matt

Special colours black matt

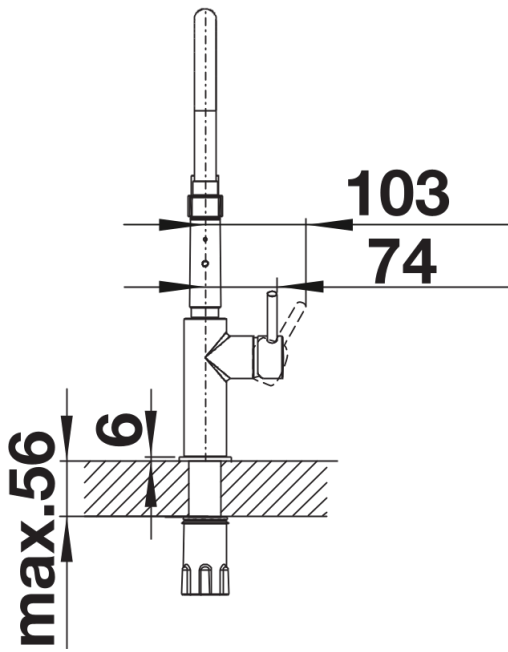
Scope of supply

- 360° swivel spout for greater reach
- Ø 35 mm tap hole required
- With ceramic disk cartridge
- Patented jet regulator for markedly reduced scaling
- Spray made of plastic
- Magnetized handspray holder for ease of use
- Black hose made of silicone
- Flexible connector pipes, 700 mm long and ½" nut
- Stabilising plate to increase the stability of the tap when fitted in stainless steel sinks
- With non-return valve and thus guaranteed against reflux in accordance with EN 1717

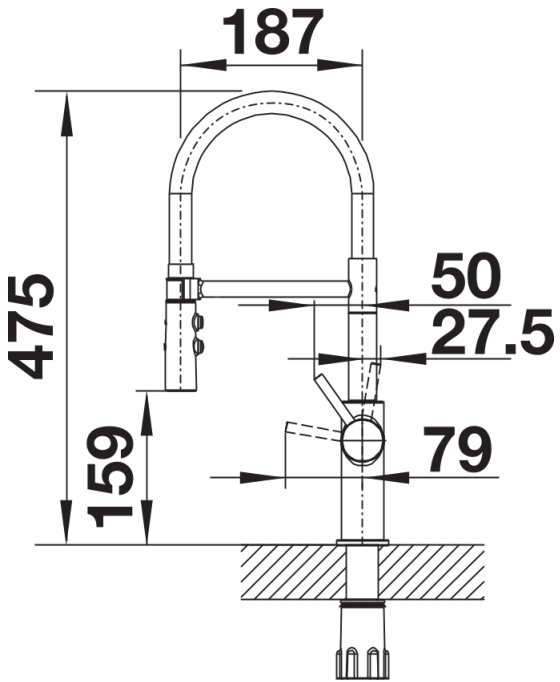
Details



Swivel range



Side view hand gear 2D



Side view