

# CARENA-S SILGRANIT™

Goose neck pull out tap

# BLANCO

CARENASA Anthracite



CARENASW White



## Key Features

### Made in Italy

European styling and engineering

### Ceramic Disk Cartridge

Durable and long lasting ceramic disk technology

### Pull Out Design

Stylish and practical design equipped with a pull out head for maximum flexibility. Change between normal or spray flow with the press of a button

### High Arch Goose Neck

The high arched goose neck will allow you to clean dishes and fill pots and vases with ease

### Silgranit™ Look

Available in Silgranit™ look making it simple to have the perfect finish in your kitchen

## Specifications

### Material:

Anthracite and chrome, white and chrome

### WELS Rating:

5

### Litres Per Minute:

5.5

### Recommended Pressure:

300kPa

### Min Pressure:

150kPa

### Max Pressure:

1000kPa

### Dimensions:

400mm total height

200mm spout length

255mm spout height

### Spout Swivel:

190°

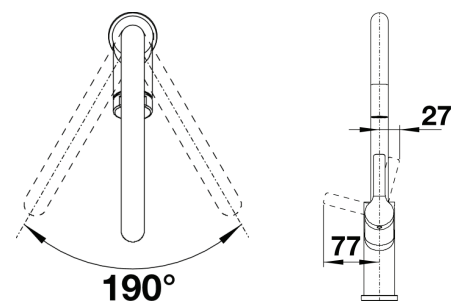
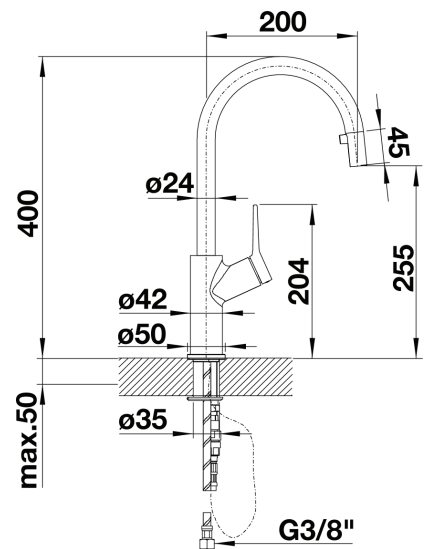
### Mounting Hole:

Ø 35 mm tap hole required

### Warranty:

10 years

## Line Drawings



Note: Measurements are within 2 - 3mm of factory tolerance. It is advisable to check dimensions of physical product when measuring for installations and before doing any cut outs. \*Due to continual product development the information provided is not final and may be subject to change.