

N 70, BUILT-IN COMPACT OVEN WITH  
MICROWAVE FUNCTION, 60 X 45 CM, FLEX DESIGN  
C29MR21V0B



Flex Design compact oven with microwave - changeable design elements in four different colours available. Home Connect - control your oven via the App.

- ✓ 3,7" Full Touch TFT Display - Intuitive navigation for easy use and complete control.
- ✓ Flex Design - Choose a finishing touch to match your kitchen's aesthetic - now and later!
- ✓ Seamless Combination with Flex Design - Watch your favourite appliances blend together seamlessly.
- ✓ Inverter Technology - Heat food gradually and evenly.
- ✓ Combined microwave and oven - the convenient solution to save space and time

Z11AB15A0 Baking tray, non-stick ceramic coated, Z11AU15A0 Universal pan, non-stick ceramic coated, Z11CR10X0 Baking and roasting grid (standard), Z11GT10X3 Glass roasting dish, 5,4l, Z11GU20X0 Glasspan, Z11SZ00X1 SC FlexDesign mounting kit, Z11SZ60X0 SeamlessCombination 45 + 14cm, Z11SZ90X0 SeamlessCombination 60 + 45cm, Z12CB10A0 Baking tray, enamelled, Z12CM10A0 Moussaka pan, enamelled, Z12CP10A0 Pizza pan, enamelled, Z12CU10A0 Multipurpose pan, enamelled, Z13CR10X0 Baking and roasting grid (steam), Z13CV05S0 Cover Strip, Z13CV06S0 Decor strip, Z1650BE0 Half tray, Z1655CA0 Air Fry & Grill tray, Z1913X0 Baking Stone, Z19DD10X0 Steam set for ovens, Z9045AY0 FlexDesign AG 45 Compact/MW 45, Z9045BY0 FlexDesign BB 45 Compact/MW 45, Z9045DY0 FlexDesign DB 45 Compact/MW 45, Z9045MY0 FlexDesign MS 45 Compact/MW 45, Z9060AY0 (SC) FlexDesign AG 60 Oven 60, Z9060BY0 (SC) FlexDesign BB 60 Oven 60, Z9060DY0 (SC) FlexDesign DB 60 Oven 60, Z9060MY0 (SC) FlexDesign MS 60 Oven 60, Z9075AY0 SC FlexDesign AG 75 WD 14 + 60, Z9075BY0 SC FlexDesign BB 75 WD 14 + 60, Z9075DY0 SC FlexDesign DB 75 WD 14 + 60, Z9075MY0 SC FlexDesign MS 75 WD 14 + 60, Z9098AY0 SC FlexDesign AG 98 60 + MW 38, Z9098BY0 SC FlexDesign BB 98 60 + MW 38, Z9098DY0 SC FlexDesign DB 98 60 + MW 38, Z9098MY0 SC FlexDesign MS 98 60 + MW 38, Z9105AY0 SC FlexDesign AG 105 60 + 45, Z9105BY0 SC FlexDesign BB 105 60 + 45, Z9105DY0 SC FlexDesign DB 105 60 + 45, Z9105MY0 SC FlexDesign MS 105 60 + 45, Z912AAY0 SC FlexDesign AG 120 WD14 + 60 + 45, Z912ABY0 SC FlexDesign BB 120 WD14 + 60 + 45, Z912ADY0 SC FlexDesign DB 120 WD14 + 60 + 45, Z912AMY0 SC FlexDesign MS 120 WD14 + 60 + 45, Z912BAY0 SC FlexDesign AG 120 60+60, Z912BBY0 SC FlexDesign BB 120 60+60, Z912BDY0 SC FlexDesign DB 120 60+60, Z912BMY0 SC FlexDesign MS 120 60+60, Z990AAY0 SC FlexDesign AG 90 WD 29 + 60, Z990ABY0 SC FlexDesign BB 90 WD 29 + 60, Z990ADY0 SC FlexDesign DB 90 WD 29 + 60, Z990AMY0 SC FlexDesign MS 90 WD 29 + 60, Z990BAY0 SC FlexDesign AG 90 45 + 45, Z990BBY0 SC FlexDesign BB 90 45 + 45, Z990BDY0 SC FlexDesign DB 90 45 + 45, Z990BMY0 SC FlexDesign MS 90 45 + 45, Z99RX70X0 Connecting cable 3m

Type of micro-wave oven: .....MW-Combi  
 Built-in / Free-standing: ..... Built-in  
 Door opening: ..... Handle  
 Colour.Material door: ..... Black  
 Cleaning : ..... Hydrolytic  
 Control Panel Material: ..... Glass  
 Dimensions (HxWxD): ..... 455 x 596 x 548 mm  
 Dimensions of the packed product (HxWxD): . 540 x 650 x 680 mm  
 Min. required niche size for installation (HxWxD): ..... 450-455 x 560-568 x 550 mm  
 Cavity dimensions: ..... 237.0 x 480 x 392.0 mm  
 Cavity capacity: ..... 45 l  
 Maximum micro-wave power: ..... 900 W  
 Number of interior lights: ..... 1  
 Net weight: ..... 35.7 kg  
 Gross weight: ..... 38.0 kg  
 EAN code: ..... 4242004266617  
 Connection Rating: ..... 3600 W  
 Fuse protection: ..... 16 A  
 Voltage: ..... 220-240 V  
 Frequency: ..... 50 Hz  
 Length electrical supply cord: ..... 150.0 cm



Z11SZ00X1 SC FlexDesign mounting kit, Z9045AY0 FlexDesign AG 45 Compact/MW 45, Z9045BY0 FlexDesign BB 45 Compact/MW 45, Z9045DY0 FlexDesign DB 45 Compact/MW 45, Z9045MY0 FlexDesign MS 45 Compact/MW 45, Z9105AY0 SC FlexDesign AG 105 60 + 45, Z9105BY0 SC FlexDesign BB 105 60 + 45, Z9105DY0 SC FlexDesign DB 105 60 + 45, Z9105MY0 SC FlexDesign MS 105 60 + 45, Z912AAY0 SC FlexDesign AG 120 WD14 + 60 + 45, Z912ABY0 SC FlexDesign BB 120 WD14 + 60 + 45, Z912ADY0 SC FlexDesign DB 120 WD14 + 60 + 45, Z912AMY0 SC FlexDesign MS 120 WD14 + 60 + 45, Z990BAY0 SC FlexDesign AG 90 45 + 45, Z990BBY0 SC FlexDesign BB 90 45 + 45, Z990BDY0 SC FlexDesign DB 90 45 + 45, Z990BMY0 SC FlexDesign MS 90 45 + 45

*N 70, BUILT-IN COMPACT OVEN WITH  
MICROWAVE FUNCTION, 60 X 45 CM, FLEX DESIGN  
C29MR21V0B*

#### Heating Functions

- Compact oven with microwave with 16 heating methods: Top/bottom heating, Circo-roasting, Full surface grill, Centre area grill, Bottom heating, Dough proving, Plate warming, Top/bottom heating gentle, Hotair, Pure microwave, Hotair + microwave, Top/bottom heat + microwave, grill + microwave, half width grill + microwave, hotair grilling + microwave
- Max. Power: 900 W; 5 Microwave power settings (90 W, 180 W, 360 W, 600 W, boost) with Inverter (MW)
- Intelligent inverter technology: maximum output power will be regulated to 600 W when used in longer operation
- Temperature range 30 °C - 230 °C
- Cavity volume: 45 net usable litres

#### Hook-in racks / rails

- Number of shelf levels: 3

#### Design

- Flex Design (available in four colours)
- ShiftControl
- Cavity inner surface: enamel

#### Cleaning

- EasyClean® program

#### Convenience

- Oven Assistant with Voice Control
- 3.7" Full Touch TFT Display
- Electronic clock with start / stop function
- Automatic temperature proposal, Actual temperature display, Optical temperature control
- Drop down door
- SoftOpen door
- Automatic Meal Settings
- LED light
- Cooling fan
- Stainless-steel fan
- HomeConnect

#### Accessories

- 1 x combination grid, 1 x universal pan

#### Safety and Environment

- Low door temperature
- Triple glazed door
- Individual adjustable child lock, Safety switch off, Residual heat indicator, Start button, Door contact switch

#### Technical Info

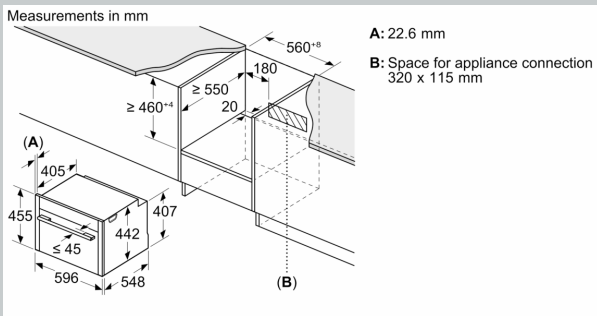
- Length of mains cable: 150 cm
- Nominal voltage: 220 - 240 V
- Total connected load electric: 3.6 KW

#### Dimensions

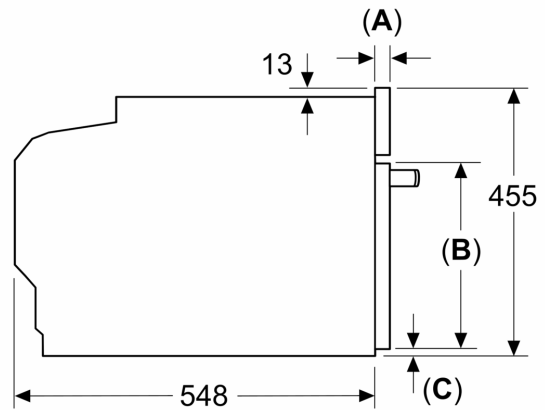
- Appliance dimensions (HxWxD): 455 mm x 596 mm x 548 mm

- Installation dimensions (HxWxD): 450 mm - 455 mm x 560 mm - 568 mm x 550 mm
- Please reference the built-in dimensions provided in the installation drawing

N 70, BUILT-IN COMPACT OVEN WITH  
MICROWAVE FUNCTION, 60 X 45 CM, FLEX DESIGN  
C29MR21V0B

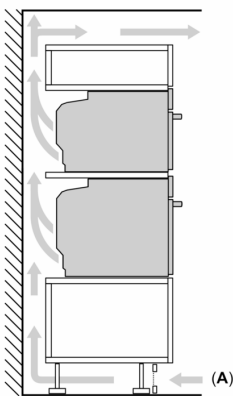


Measurements in mm



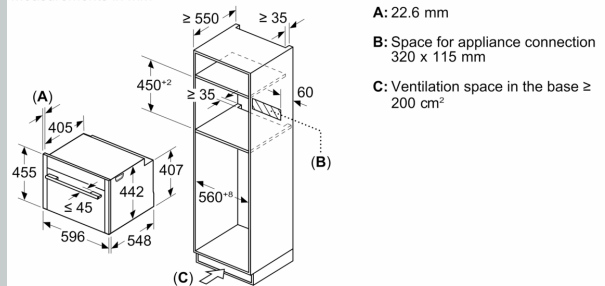
**A:** 22.6 mm  
**B:** ≤ 347.5 mm  
**C:** 7.5 mm

Installing two appliances on top of each other  
Air exchange

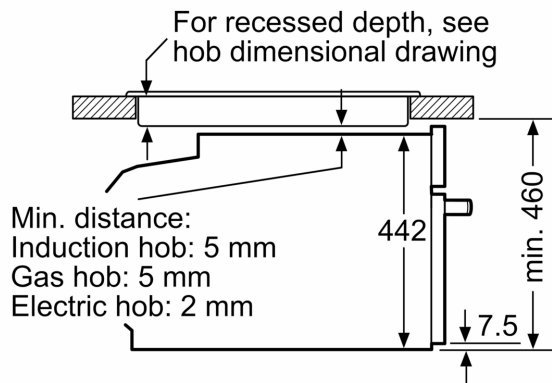


A: Air inlet ≥ 200 cm<sup>2</sup>

Measurements in mm



### Installation with a hob.



measurements in mm

If the compact appliance will be installed underneath a hob, the following worktop thicknesses (including substructure if necessary) must be taken into account.

Hob type	min. worktop thickness	
	fitted	flush
Induction hob	42 mm	43 mm
Full surface Induction hob	52 mm	53 mm
Gas hob	32 mm	43 mm
Electric hob	32 mm	35 mm