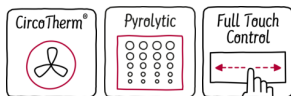


N 90, Built-in compact oven with microwave function, 60 x 45 cm, Stainless steel
C28MT27HOB



Pyrolytic Compact Oven with Microwave and Multipoint Meatprobe - even more ways to cook dishes to perfection, quickly and conveniently.

- ✓ CircoTherm® - our smart hot-air solution for simultaneous baking and roasting on up to four levels
- ✓ Combined microwave and oven - the convenient solution to save space and time
- ✓ The duo for perfect cleaning: Pyrolysis after heavy use - the oven interior cleans itself. EasyClean® - the environment-saving option for fast oven cleaning.
- ✓ FullTouch Control - simple, precise oven control by fingertip touch on the smooth surface of the high resolution TFT colour display.
- ✓ Baking and Roasting Assistant with Automatic Programmes - the duo for optimal baking at your command



Features

Technical Data

Type of micro-wave oven : MW-Combi
 Type of control : Electronic
 Color / Material Front : Stainless steel
 Dimensions : 455 x 596 x 548
 Cavity dimensions (mm) : 237.0 x 480 x 392.0
 Length electrical supply cord (cm) : 150
 Net weight (kg) : 37.933
 Gross weight (kg) : 40.2
 EAN code : 4242004236535
 Maximum micro-wave power (W) : 900
 Connection Rating (W) : 3600
 Current (A) : 16
 Voltage (V) : 220-240
 Frequency (Hz) : 50; 60
 Plug type : no plug

Optional accessories

Z11SZ00X0 SeamlessCombination mounting kit
 Z11SZ60X0 SeamlessCombination 45 + 14cm
 Z11SZ90X0 SeamlessCombination 60 + 45cm
 Z12CB10A0 Baking tray, anthracite enamelled
 Z12CM10A0 Moussaka pan, anthracite enamelled
 Z12CU10A0 Multipurpose pan, anthracite enamelled
 Z13CV06S0 Decor strip
 Z1913X0 Baking Stone



4 242004 236535

*N 90, Built-in compact oven with microwave
function, 60 x 45 cm, Stainless steel
C28MT27H0B*

Features
Heating Functions

- Compact oven with microwave with 13 heating methods:
 - Hot Air
 - Full surface grill
 - Dough proving
 - CircoTherm® Eco
 - Centre area grill
 - Top/bottom heating
 - Top/bottom heating Eco
 - CircoTherm® Intensive
 - Low temperature cooking
 - Bottom heating
 - Circo-roasting
 - Plate warming
 - Keep warm
- Additional heating methods with microwave: Pure microwave, Combination microwave and conventional oven
- Intelligent inverter technology: maximum output power will be regulated to 600 W when used in longer operation
- Max. Power: 900 W; 5 Microwave power settings (90 W, 180 W, 360 W, 600 W, 900 W) with Inverter (MW)
- Temperature range 30 °C - 300 °C
- Cavity volume: 45 net usable litres

Hook-in racks / rails

- Number of shelf levels: 3 PC
- Telescopic rails: 1 level telescopic shelf, pyrolytic proof

Design

- Touch control
- Anthracite enamel cavity with 3 shelf positions

Cleaning

- Pyrolytic self cleaning
- EasyClean® Cleaning aid programm

Convenience

- 5.7" TFT colour and graphics Display with FullTouch control
- Electronic clock with start / stop function
- Automatic temperature proposal
 - Actual temperature display
 - Optical temperature control
 - Meat probe function
- Number of automatic programmes: 14 PC
- Drop down door, SoftMove oven door with soft open and soft close, SoftOpen
- Bar handle
- Bake and Roast assist, Automatic programs
- MultiPoint MeatProbe
- Rapid heating-up: automatic
- LED lighting
- Cooling fan
- Stainless-steel fan
- HomeConnect ready

Accessories

- 1 x combination grid, 1 x universal pan

Safety and Environment

- Maximum door temperature 30° C
- Automatic door lock during pyrolysis
 - Individual adjustable child lock
 - Safety switch off
 - Residual heat indicator
 - Start button
 - Door contact switch

Technical Info

- Length of mains cable: 150 cm
- Nominal voltage: 220 - 240 V
- Total connected load electric: 3.6 KW

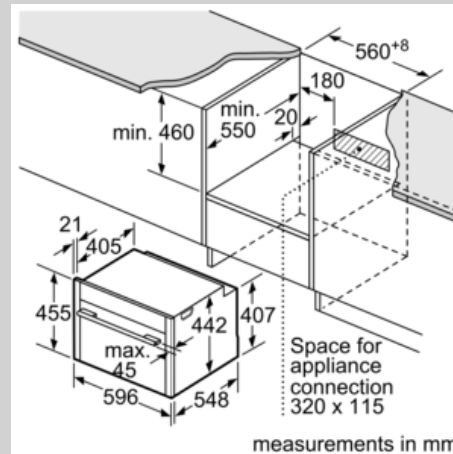
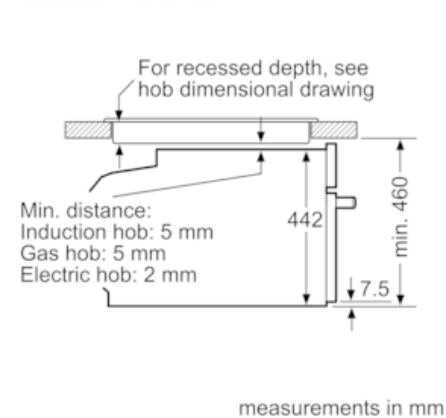
Dimensions

- Appliance dimensions (HxWxD): 455 mm x 596 mm x 548 mm
- Installation dimensions (HxWxD): 450 mm - 455 mm x 560 mm - 568 mm x 550 mm
- Please reference the built-in dimensions provided in the installation drawing

N 90, Built-in compact oven with microwave function, 60 x 45 cm, Stainless steel
C28MT27H0B

Dimensioned drawings

Installation with a hob.



If the compact appliance will be installed underneath a hob, the following worktop thicknesses (including substructure if necessary) must be taken into account.

Hob type	min. worktop thickness	
	fitted	flush
Induction hob	42 mm	43 mm
Full surface Induction hob	52 mm	53 mm
Gas hob	32 mm	43 mm
Electric hob	32 mm	35 mm

