

TECHNICAL DATASHEET

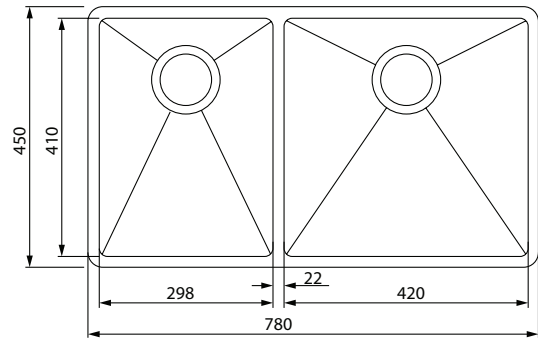
BOLERO BOX 220-42/29 SBL

| | |
|------------------|-----------------------------|
| Product Category | Sinks |
| Finish | Stainless Steel |
| Installation | Inset/Flushmount/Undermount |
| Range | BOLERO |
| Model | BOX 220-42/29 SBL |
| Warranty | 50 Years |



PRODUCT INFORMATION

| | |
|------------------------|--|
| Article Number | 127.0503.561-FPC |
| Dimensions | 780 x 450mm |
| Cabinet Base | 800mm |
| Bowl Size | 420 x 410 x 200mm 298 x 410 x 200mm |
| Bowl Radius | 12mm |
| Cut-Out Size | Template |
| Cut-Out Template | Yes |
| Waste Outlet | Semi Integrated Waste |
| Overflow | Yes |
| Tap Holes | No |
| Remote Waste | No |
| Opposite Configuration | - |
| Accessories | 1 2 3 4 5 |



1 ACCESSORIES AVAILABLE **1** ACCESSORIES INCLUDED

ACCESSORIES

| | | | | |
|------------------------------------|--------------------------|---------------------------------|--------------------------------|---------------------------------|
| 1 | 2 | 3 | 4 | 5 |
| | | | | |
| DT 360 Extension Drainer | RM 44 Rollamat | DB 664 Drainer Basket | SB 452 Strainer Bowl | CB 964 Chopping Board |

FEATURES & BENEFITS

| | | | | | | | |
|------------------------------------|------------------------------|----------------------------|----------------------|------------------------|----------------|------------------------------|------------------------|
| FPC Food Preparation Centre | 18/10 Stainless Steel | Waste to Rear of Main Bowl | Sound Deadening Pads | Franke Bowl Insulation | Flushmount Fit | Fast Fix Installation System | Franke Hidden Overflow |
|------------------------------------|------------------------------|----------------------------|----------------------|------------------------|----------------|------------------------------|------------------------|

LAST UPDATED: 18 AUG 2016

Make it wonderful

FRANKE