

**Serie | 2, Built-In Microwave Oven, 59
x 38 cm, Black
BEL653MB3A**



**The built-in microwave that fits into a 38 cm
niche: use it for extra fast thawing, heating
and perfect preparation of foods.**

- **Grill function:** perfect grilling results are quickly and easily achieved thanks to a powerful grill.
- **AutoPilot 8:** every dish is a perfect success thanks to 8 pre-set automatic programmes.
- **QuickStart:** heat up your food with just a touch of one button.
- **Cleaning Assistance:** less cleaning effort thanks to the new cleaning option, which can be especially used for cleaning of light soiling.
- **LED lighting:** perfect illumination of foods with minimum energy consumption.

Technical Data

Type of micro-wave oven : MW only

Type of control : Electronic

Color / Material Front : Black

Cavity dimensions : 205.0 x 310 x 334.0 mm

Approval certificates : Australia Standards, CE

Length electrical supply cord : 130 cm

Net weight : 15.002 kg

Gross weight : 16.6 kg

EAN code : 4242005319954

Maximum micro-wave power : 800 W

Connection Rating : 1270 W

Fuse protection : 10 A

Voltage : 220-230 V

Frequency : 50 Hz

Plug type : AU plug

Cavity dimensions : 205.0 x 310 x 334.0 mm



4 242005 319954

Serie | 2, Built-In Microwave Oven, 59 x 38 cm, Black BEL653MB3A

The built-in microwave that fits into a 38 cm niche: use it for extra fast thawing, heating and perfect preparation of foods.

Dimensions

- Appliance dimensions (HxWxD): 382 mm x 595 mm x 375 mm
- Installation dimensions (HxWxD): 380 mm - 382 mm x 560 mm - 568 mm x 550 mm
- Please reference the built-in dimensions provided in the installation drawing

Microwave and heating methods

- Max. Power: 800 W; 5 Microwave power settings: 90 W, 180 W, 360 W, 600 W, 800 W
- Grill 1 KW
- Grill and microwave power levels 90 W, 180 W, 360 W combinable
- Microwave and grill can be used separately and in combination
- Cavity volume: 25 l

Design

- lacquered grey cavity

Cleaning

- Cleaning Assistance program

Convenience

- LED-display control
- Electronic clock/timer with end time programming
- Rotary control knobs
- User-friendly electronics: extremely easy and comfortable operation
- AutoPilot, 8 automatic programs
- 4 defrost and 3 cooking programmes in microwave function
- Favourite button for individual settings (1 setting)
- Quick Start button: one tap to maximum microwave power for 30 seconds
- LED lighting
- 29 cm Glass turntable
- Left hinged door
- Open door button

Safety and Environment

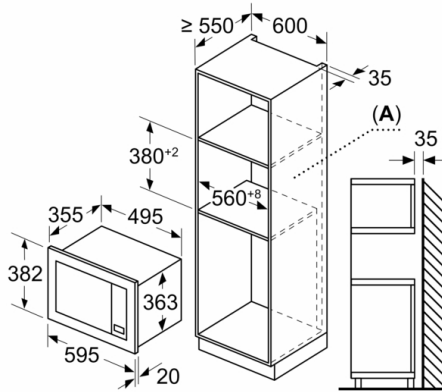
- Child lock function
Automatic safety switch off function
Door contact switch
- Cooling fan

Technical Info

- Length of mains cable: 130 cm
- Total connected load electric: 1.27 KW
- Nominal voltage: 220 - 230 V
- Appliance: 382 x 595 x 375 mm

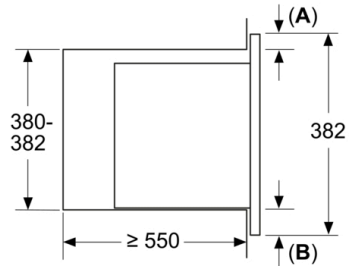
**Serie | 2, Built-In Microwave Oven, 59 x 38
cm, Black
BEL653MB3A**

measurements in mm



A: Back panel open

measurements in mm
Installation of a 25 l microwave in a
high cupboard



A: Overhang at top: 1 mm
B: Overhang at bottom: 1 mm