

**Serie | 6, Built-in microwave, Stainless steel
BEL554MS0A**



Included accessories

1 x grid
1 x Turntable

**The built-in microwave for the 38 cm niche:
use it for thawing, heating and perfect
preparation of food.**

- **Microwave function:** time saving preparation, defrosting and re-heating of dishes.
- **AutoPilot 8:** every dish is a perfect success thanks to 8 pre-set automatic programmes.
- **Electronical door opening:** comfortable door opening just with a fingertip on the sensor button.
- **Grill function:** perfect grilling results are quickly and easily achieved thanks to a powerful grill.
- **White LED display control:** easy-to-use thanks to the time functions.

Technical Data

Type of micro-wave oven :	MW+Grill function
Type of control :	Electronic
Color / Material Front :	Stainless steel
Dimensions of the product (mm) :	382 x 594 x 388
Cavity dimensions (mm) :	208.0 x 328.0 x 369.0
Length electrical supply cord (cm) :	130
Net weight (kg) :	18.045
Gross weight (kg) :	21.0
EAN code :	4242005039012
Maximum micro-wave power (W) :	900
Connection Rating (W) :	1450
Current (A) :	10
Voltage (V) :	220-230
Frequency (Hz) :	50
Plug type :	AU plug



4 242005 039012

Serie | 6, Built-in microwave, Stainless steel BEL554MS0A

**The built-in microwave for the 38 cm niche:
use it for thawing, heating and perfect
preparation of food.**

Dimensions

- Appliance dimensions (HxWxD): 382 mm x 594 mm x 388 mm
- Installation dimensions (HxWxD): 380 mm - 382 mm x 560 mm - 568 mm x 550 mm
- Please reference the built-in dimensions provided in the installation drawing

Oven type and heating methods

- Max. Power: 900 W; 5 Microwave power settings: 90 W, 180 W, 360 W, 600 W, 900 W
- Grill 1200 W
- Grill and microwave power levels 90 W, 180 W, 360 W combinable
- Microwave and grill for can be used separately and in combination

Design

- Rotary control knobs, Retractable control knobs, Touch control
- Stainless steel cavity
- Cavity volume: 25 l

Convenience

- LED-display control
- Electronic clock/timer with end time programming
- User-friendly electronics: extremely easy and comfortable operation
- AutoPilot8
- 4 defrost and 3 cooking programmes in microwave function, 1 programme for combination function
- Memory function (1 setting)
- LED lighting
- 31.5 cm Glass turntable
- Left hinged door
- Electronic door opener
- Cooling fan

Accessories

- 1 x grid, 1 x Turntable

Safety and Environment

- Automatic safety switch off function
Door contact switch

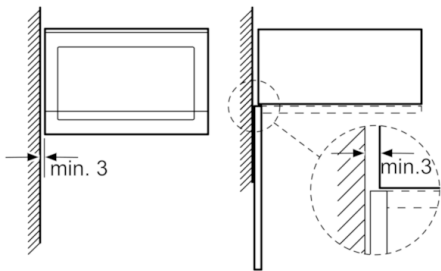
2 year warranty

Technical Info

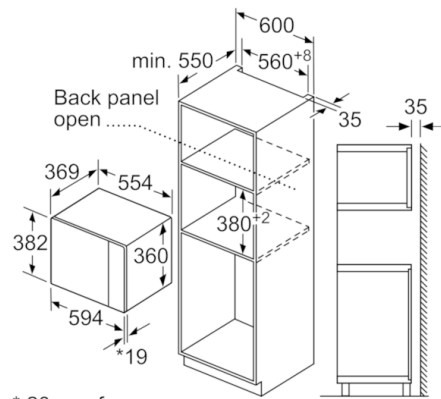
- Length of mains cable: 130 cm
- Nominal voltage: 220 - 230 V
- Total connected load electric: 1.45 KW

Serie | 6, Built-in microwave, Stainless steel BEL554MS0A

Microwave,
corner installation

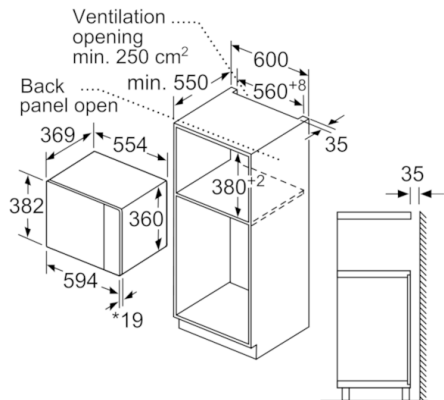


Measurements in mm



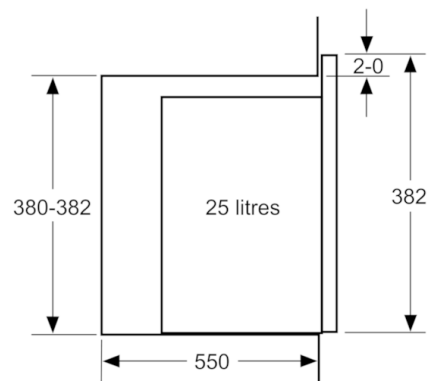
* 20 mm for
metal fascia

measurements in mm



* 20 mm for metal fascia

measurements in mm



measurements in mm