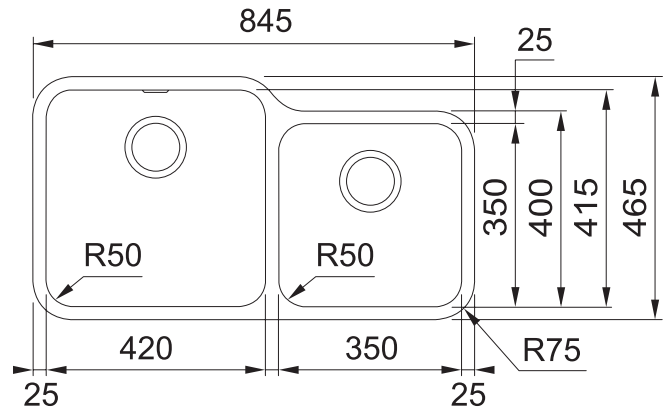


# BELL

BCX120-42/35



## PRODUCT INFORMATION

<b>Installation</b>	Undermount
<b>Dimensions</b>	845 x 465mm
<b>Cabinet Base</b>	900mm
<b>Bowl Size</b>	420 x 415 x 200mm / 33L 350 x 350 x 180mm / 21L
<b>Bowl Radius</b>	50mm
<b>Cut-Out Size</b>	Template
<b>Cut-Out Template</b>	Yes
<b>Waste Outlet</b>	Semi Integrated Waste
<b>Overflow</b>	Yes
<b>Tap Holes</b>	No
<b>Remote Waste</b>	No
<b>Finish</b>	Stainless Steel
<b>Warranty</b>	50 Years

**NOTE:** Cut-out dimensions are a guide only, please use the actual sink as your template.

## FEATURES & BENEFITS



Food Preparation Centre



18/10 Stainless Steel



Sound Deadening Pads



Fast Fix Installation



Hidden Overflow

## ALL-IN ACCESSORIES (AVAILABLE)

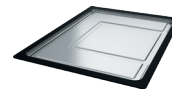
<b>PACK 1</b>					
	Telescopic Bridge	Chopping Board	Small Strainer Bowl	Small Storage Box	Bamboo Lid
<b>PACK 2</b>	All Accessories Included In Pack 1				
			Silicon Drainer Mat		
<b>PACK 3</b>	All Accessories Included In Pack 2				
			Large Strainer Bowl	Storage Container	

## ADDITIONAL ACCESSORIES

— Included Accessory  
- - - Available Accessory



**CB932**  
Chopping Board



**DT360**  
Extension Drainer



**DB448**  
Drainer Basket

BARE SINK OPTION AND SOME SINK & TAP PACKAGES DO NOT INCLUDE ACCESSORIES. PLEASE CHAT TO YOUR SALES CONSULTANT FOR FURTHER INFORMATION.

LAST UPDATED: 24 JUNE 2022

