

7000 Classic 5 burner built In BBQ, stainless steel
RRP AUS \$3,199.00



Product Details

FEATURES

17MJ Cast Iron Burners with
Stainless Steel Vaporisers

Porcelain Enamel Cast Iron
Hotplates and Split Grills

Stainless steel elevated
cooking rack

Full Width Oil and Fat
Catchment Tray on
Telescopic Rails

Fully Welded 304 Grade
Stainless Steel Firebox

Double layered 304 grade
stainless steel roasting hood
with glass viewing window and
integrated temperature gauge

Quartz One Start Ignition
System

BENEFITS

DURABLE, FLEXIBLE AND EFFICIENT

With cast iron burners and stainless-steel vaporisers, you have one of the most durable, flexible and efficient cooking systems available. Cast iron heats quickly, maintains consistency and lasts a very long time. With 17MJ of power in each burner, you can always turn the power down, giving you the choice in what you cook and how you cook it. And the stainless-steel vaporisers efficiently disperse the flames across the grill & plate surfaces whilst reducing those flare ups

SPACIOUS, CUSTOMISABLE and DURABLE CAST IRON COOKTOP

Cook up a feast for many for years to come on our spacious and durable cooktop. Made from cast iron, the cooking surface doesn't chip and rust resistant, whilst heating quickly and evenly and holding its warmth for the best cooking experience. The split grill plates also means you can customise your cooking surface as you need it.

THE PERFECT VIEW

Keep an eye on whats cooking without lifting the lid. Maintain heat using the built in temperature gauge or peer through the full width glass viewing window to check how those sausages or brisket are doing.

CLEAN UP WITH EASE

Designed for an easy clean-up, the hotplate has raised sides preventing grease and oil over-spilling, drawing it instead to the plate opening and into the replaceable foil catchment tin. The telescopic rails on the front, full width drip tray, makes it easy to pull out to replace the foil tin and clean the over-spill.

READY, START, COOK

Start cooking quickly and easily with the quartz one start. This first time, every time, easy start ignition system makes sparking up the BBQ a breeze.

CONSTRUCTED TO LAST

Built to last over time, the burner box is built out of high grade stainless steel. With an exterior seam weld, moisture and grease don't get into the joints, preventing rusting



BBG7650SA

KEEP IT COOKING OR KEEP IT WARM

The stainless steel elevated cooking rack keeps food warm or use it as a 2nd elevated cooking area.



Specifications

PRODUCT PROFILE

| | |
|--|------------------------------|
| Type of BBQ | Built in |
| Design Family | Signature |
| Finish | stainless steel |
| Stainless steel grade | 304 grade |
| Stainless steel | 304 grade |
| BBQ Frame Finish (BBQ Burner Box Finish) | Fully Welded Stainless Steel |
| Firebox material | stainless steel |
| Firebox construction | stainless steel |
| Domestic warranty details (yrs) | 2 |

FEATURES

| | |
|------------------------|-----------------|
| Control panel material | stainless steel |
| Controls of BBQ | Stainless steel |
| Position of controls | front mounted |

SPECIFICATIONS

| | |
|-----------------------------|-----|
| Type of Fuel | Gas |
| Gas connection set up | LPG |
| NG conversion kit available | yes |

BURNERS

| | |
|-------------------|--------------|
| Number of burners | 5 |
| Burner material | Cast iron |
| Type of Ignition | Quartz Start |

FEATURES

| | |
|----------------------------------|------------------------------------|
| Laser Etched Graphics | yes |
| Hotplates | 1 |
| Hotplate finish | rust resistant enamelled cast iron |
| Hotplate size | 18.6cm ² |
| Hotplate oil and fat management | raised sides,hotplate gap |
| Grills | 2 |
| Grill finish | rust resistant enamelled cast iron |
| Grill plate size | 13.1cm ² x2 |
| Elevated Cooking Rack | Yes |
| Elevated cooking rack number | 2 |
| Elevated cooking rack material | stainless steel |
| Elevated cooking rack dimensions | 5.8cm ² x 2 |
| Elevated cooking rack movement | lift up & remove,split |
| Roasting hood | Yes |

BURNERS

| | |
|----------------------------|-----------------|
| Burner power (MJ/hr) | 17 |
| Total burner power (MJ/hr) | 85 |
| Flame failure | No |
| Vaporisers | Yes |
| Number of vaporisers | 2 |
| Vaporiser material | stainless steel |
| Side Burner | No |

FEATURES

| | |
|------------------------|-----------------------------|
| Roasting hood material | stainless steel (304 grade) |
|------------------------|-----------------------------|

| | |
|----------------------------|-----------------|
| Roasting hood construction | Stainless Steel |
|----------------------------|-----------------|

| | |
|------------------|--------------------------------------|
| Features of hood | Window, Integrated temperature gauge |
|------------------|--------------------------------------|

| | |
|----------------------|---|
| Roasting hood layers | 2 |
|----------------------|---|

| | |
|----------------------|----|
| Roasting hood lights | No |
|----------------------|----|

| | |
|--------------|----|
| Slimline Lid | No |
|--------------|----|

GREASE & OIL MANAGEMENT

| | |
|-------------------------|-----------------|
| Catchment tray material | stainless steel |
|-------------------------|-----------------|

| | |
|---------------------|------------|
| Catchment tray size | full width |
|---------------------|------------|

| | |
|-------------------------|-------|
| Catchment tray position | front |
|-------------------------|-------|

| | |
|------------------|-----|
| Telescopic rails | Yes |
|------------------|-----|

DIMENSIONS

PRODUCT

| | |
|-------------------------------------|-----|
| Total height (with lid closed) (mm) | 555 |
|-------------------------------------|-----|

| | |
|-----------------------------------|-----|
| Total height (with lid open) (mm) | 923 |
|-----------------------------------|-----|

| | |
|-------------------|-----|
| Total height (mm) | 923 |
|-------------------|-----|

| | |
|------------------|-----|
| Total width (mm) | 973 |
|------------------|-----|

| | |
|------------------|-----|
| Total depth (mm) | 628 |
|------------------|-----|

| | |
|---------------------------------------|------|
| Total cooking area (cm ²) | 4480 |
|---------------------------------------|------|



SHIPPING

| | |
|-----------------------------|------|
| weight (kg) | 78 |
| Shipping Weight (Kg) | 78 |
| Pack Dimensions Height (mm) | 707 |
| Pack Dimension Width (mm) | 1122 |
| Pack Dimension Depth (mm) | 650 |

STUFFING QUANTITIES

| | |
|------|-----|
| 20ft | 48 |
| 40ft | 128 |

BEEFEATER FILTER TYPE

| | |
|-----------------------|----------|
| BeefEater Filter Type | Built in |
|-----------------------|----------|

BEEFEATER FILTER SERIES

| | |
|-------------------------|-----------|
| BeefEater Filter Series | Signature |
|-------------------------|-----------|

BEEFEATER FILTER FUEL TYPE

| | |
|-----------------------|-----|
| BeefEater Filter Fuel | Gas |
|-----------------------|-----|

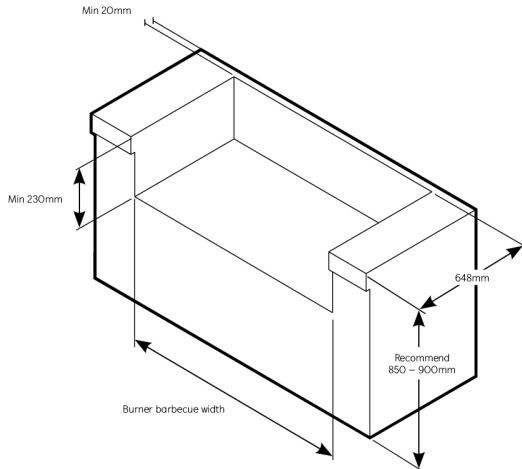
BEEFEATER FILTER NUMBER OF BURNERS

| | |
|------------------------------------|---|
| BeefEater Filter Number of Burners | 5 |
|------------------------------------|---|

BEEFEATER FILTER FINISH

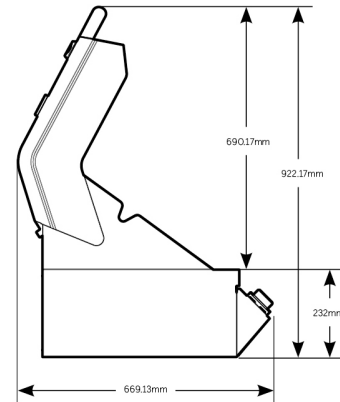
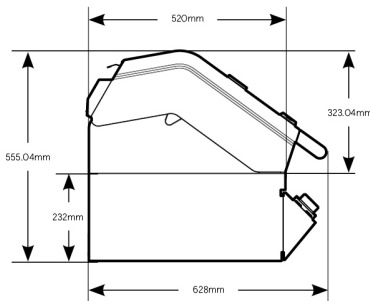
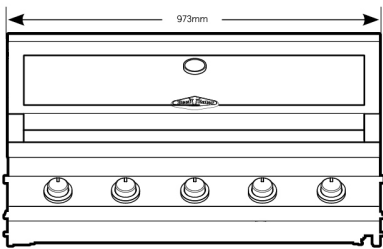
| | |
|-------------------------|-----------------|
| BeefEater Filter Finish | Stainless steel |
|-------------------------|-----------------|

Dimensions



For built-in installations: islands, masonry, other non-combustible material structures.

| To suit models: BBG7650SA | 5 burner |
|--|----------|
| Width | 973mm |
| Height (lid closed) | 555mm |
| Depth (includes 20mm rear ventilation clearance) | 648mm |
| Clearance at rear (Min) | 20mm |
| Minimum Clearance to Combustible Materials | 450mm |



*All measurements are in mm

Terms and Conditions

IMPORTANT

This is a guide of product dimensions only. For complete installation instructions, refer to the manual provided with product.

PRODUCT INFORMATION

The descriptors and illustrations in this publication apply to the specific products and models described as at the date of issue. Under our policy of continuous product development, product specifications may change without notice. Prospective purchasers should therefore check with their retailer to ensure this publication correctly describes the products that are being offered for sale. All information supplied is to be used for general reference purposes only and is on the understanding that Electrolux Home Products Pty Ltd (Australia) and Electrolux (NZ) Ltd (New Zealand) will not be liable for any loss, liability or damage of whatever kind arising as a result of reliance on such information. Colours of products illustrated are as close as printing limitations allow. Electrolux will at all times comply with its obligations pursuant to law including Trade Practices (Australian Consumer Law) Act and Regulations.

WARRANTY

This warranty only applies to Appliances purchased and used in Australia or New Zealand and used in normal domestic applications and is in addition to (and does not exclude, restrict, or modify in any way) any non-excludable statutory warranties in Australia or New Zealand. All warranties are subject to the conditions set out in the warranty card accompanying the product when purchased.

ELECTROLUX HOME PRODUCTS AUSTRALIA

telephone: 1300 363 640

fax: 1800 350 067

email: customercare@electrolux.com.au

web: www.electrolux.com.au

ELECTROLUX HOME PRODUCTS NEW ZEALAND

telephone: 09 573 2230

fax: 09 573 2221

email: customercare@electrolux.co.nz

web: www.electrolux.co.nz