

N 50, BUILT-IN OVEN, 60 X 60 CM,  
GRAPHITE-GREY  
B6ACM7AG0A



Built-in oven with Hide® - the fully retracting oven door

- ✓ CircoTherm® – The smart hot-air function lets you bake on up to three levels at once and achieve even cooking results.
- ✓ Hide® – The unique fully disappearing oven door.
- ✓ Singlepoint Meatprobe - keeps one eye constantly on the oven temperature
- ✓ Pyrolytic Self-Cleaning with Easy Clean - the duo for optimal cleaning: pyrolytic after heavy use and Easy Clean for in between
- ✓ Home Connect – rediscover your kitchen with our connected home appliances, from wherever you are

Color / Material Front: ..... Graphite-Grey  
 Built-in / Free-standing: ..... Built-in  
 Door opening: ..... Drop down  
 Cleaning : ..... Pyrolytic+Hydrolytic  
 Control Panel Material: ..... Glass  
 Door Material: ..... Glass  
 Dimensions (HxWxD): ..... 595 x 594 x 548 mm  
 Dimensions of the packed product (HxWxD): . 660 x 690 x 650 mm  
 Min. required niche size for installation (HxWxD): ..... 585-595 x 560-568 x 550 mm  
 Cavity dimensions: ..... 357 x 480 x 415 mm  
 Usable volume of cavity: ..... 71 l  
 Number of interior lights: ..... 1  
 Net weight: ..... 37.8 kg  
 Gross weight: ..... 40.4 kg  
 EAN code: ..... 4242004265047  
 Connection Rating: ..... 3600 W  
 Fuse protection: ..... 16 A  
 Voltage: ..... 220-240 V  
 Frequency: ..... 50; 60 Hz  
 Length electrical supply cord: ..... 120.0 cm



4 242004 265047

Z11AB15A0 Baking tray, non-stick ceramic coated, Z11AU15A0 Universal pan, non-stick ceramic coated, Z11CB10E0 Baking tray, grey enamelled, Z11CL15E0 Lid for professional pan, enamelled grey, Z11CN15E0 Professional pan, grey enamelled, Z11CR10X0 Baking and roasting grid (standard), Z11CU10E0 Multipurpose pan, grey enamelled, Z11GT10X3 Glass roasting dish, 5,4l, Z11GU20X0 Glasspan, Z11TE25X0 2 level telescopic shelf rails, Z11TF25X0 2 level telescopic shelf rails,full ext, Z11TF36X0 3 level telescopic rails, full ext, Z11T115X0 Cliprails, Z11TJ25X0 2 level telescopic rails incl 1VarioClip, Z11TJ35X0 3 level telescopic rails incl 1VarioClip, Z12CL10A0 Lid for professional pan, enamelled anth, Z12CN10A0 Professional pan, anthracite enamelled, Z12CQ10A0 Grill tray, anthracite enamelled, Z1352X0 Pizza pan, grey enamelled, Z13CR10X0 Baking and roasting grid (steam), Z13CV05S0 Cover Strip, Z1913X0 Baking Stone, Z19DD10X0 Steam set for ovens

*N 50, BUILT-IN OVEN, 60 X 60 CM,  
GRAPHITE-GREY  
B6ACM7AG0A*

#### Heating Functions

- Oven with 8 heating methods:
- Bread Baking
- Full surface grill Hotair gentle CircoTherm® Top/bottom heating  
CircoTherm® Intensive Bottom heating Circo-roasting
- Temperature range 30 °C - 275 °C
- Cavity volume: 71 net usable litres

#### Hook-in racks / rails

- Number of shelf levels: 4
- Large capacity oven with shelf supports, Telescopic shelf rails available as optional accessory

#### Design

- Graphite-Grey Edition
- Rotary Control, Retractable control knobs
- Enamelled cavity (grey) with 4 shelf positions

#### Cleaning

- Pyrolytic self cleaning
- EasyClean® Cleaning aid program
- Full glass inner door - safer touch door

#### Convenience

- White LCD display
- Electronic clock with start / stop function
- Automatic temperature proposal, automatic start, Actual temperature display, Optical temperature control, Meat probe function
- Hide®, the fully retracting oven door
- Bar handle
- Single-point meat probe
- Rapid heat
- Halogen lighting
- Cooling fan
- Stainless-steel fan
- Info button
- HomeConnect

#### Accessories

- 1 x combination grid, 1 x universal pan

#### Safety and Environment

- Automatic door lock during pyrolysis, Individual adjustable child lock, Safety switch off, Residual heat indicator, Door contact switch

#### Technical Info

- Length of mains cable: 120 cm
- Nominal voltage: 220 - 240 V
- Total connected load electric: 3.6 KW

#### Dimensions

- Appliance dimensions (HxWxD): 595 mm x 594 mm x 548 mm
- Installation dimensions (HxWxD): 585 mm - 595 mm x 560 mm - 568 mm x 550 mm

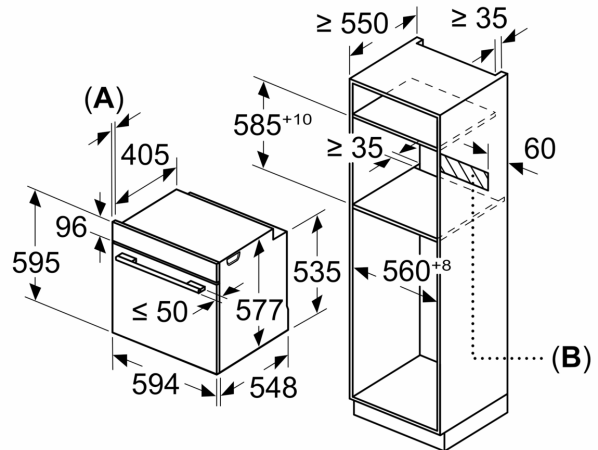
- Please reference the built-in dimensions provided in the installation drawing

N 50, BUILT-IN OVEN, 60 X 60 CM,  
 GRAPHITE-GREY  
 B6ACM7AG0A

If the appliance will be installed underneath a hob, the following worktop thicknesses (including substructure if necessary) must be taken into account.

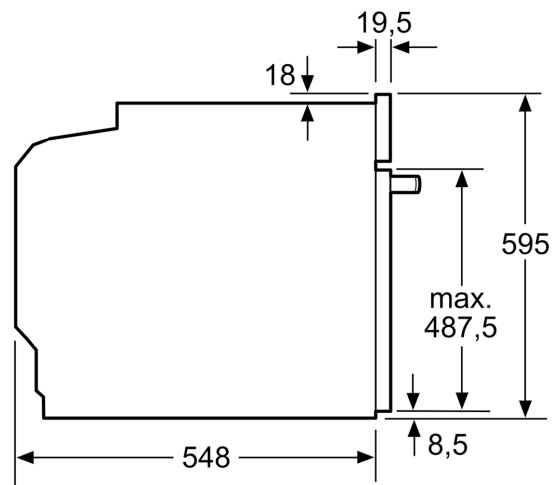
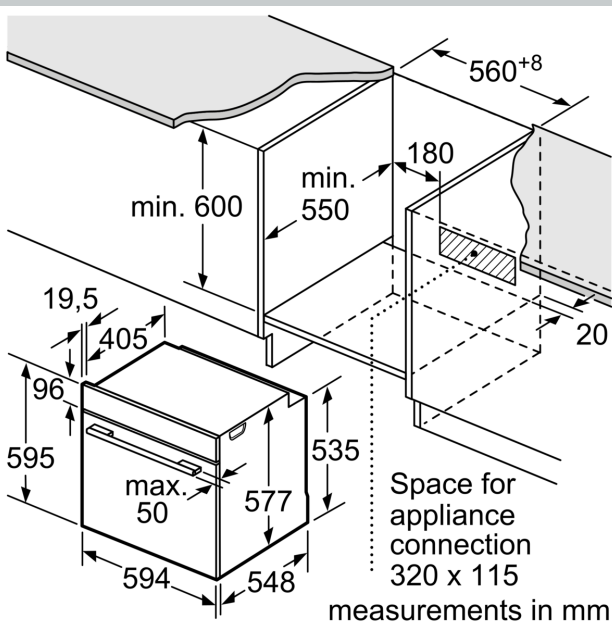
Hob type	min. worktop thickness	
	fitted	flush
Induction hob	37 mm	38 mm
Full surface Induction hob	47 mm	48 mm
Gas hob	30 mm	38 mm
Electric hob	27 mm	30 mm

Measurements in mm



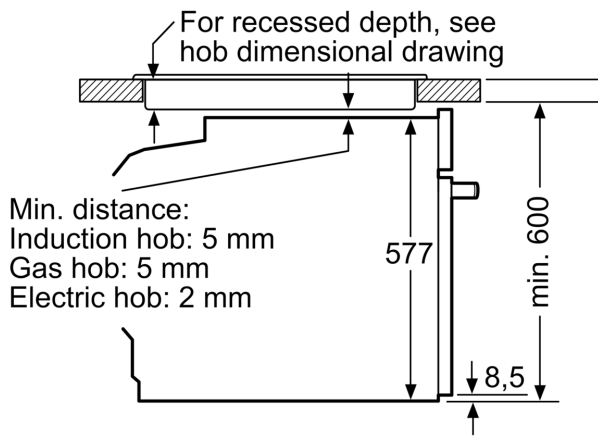
A: 19.5 mm

B: Space for appliance connection 320 x 115 mm



measurements in mm

Installation with a hob.



measurements in mm