

N 70
OVEN WITH VARIOSTEAM
B57VR22N0B



COOKING PASSION SINCE 1877



Built-in oven with VarioSteam® and SLIDE&HIDE® - fuller flavour and unrestricted access to the oven interior.

- ✓ Slide&Hide® - the fully retracting oven door.
- ✓ VarioSteam® - Steam assistance for CircoTherm® ovens, that cooks foods moist on the inside and crisp on the outside.
- ✓ The duo for perfect cleaning: Pyrolysis after heavy use - the oven interior cleans itself.
- ✓ EasyClean® - the environment-saving option for fast oven cleaning.
- ✓ ShiftControl - fast navigation through menus and simple operation with the TFT display.
- ✓ Modern LED lighting for bright, even illumination.

Features

Technical Data

Color / Material Front : Stainless steel
 Built-in / Free-standing : Built-in
 Integrated Cleaning system : Hydrolytic, Pyrolytic
 Required niche size for installation (HxWxD) : 585-595 x 560-568 x 550
 Dimensions of the product (mm) : 595 x 596 x 548
 Dimensions of the packed product (HxWxD) (mm) : 675 x 690 x 660
 Control Panel Material : Stainless steel
 Door Material : Glass
 Net weight (kg) : 43.278
 Usable volume of cavity (l) : 71
 Cooking method : , 4D hot air, Bottom heat, Bread Baking Setting, Conventional heat, Full width grill, Half width grill, Hot Air-Eco, Hot air grilling, low temperature cooking, Pizza setting, warming
 First cavity material : Enamelled
 Temperature control : electronic
 Number of interior lights : 1
 Approval certificates : CE, VDE
 Length electrical supply cord (cm) : 120
 EAN code : 4242004181965
 Number of cavities (2010/30/EC) : 1
 Energy efficiency class (2010/30/EC) : A+
 Energy consumption per cycle conventional (2010/30/EC) : 0.87
 Energy consumption per cycle forced air convection (2010/30/EC) : 0.69
 Energy efficiency index (2010/30/EC) : 81.2
 Electrical connection rating (W) : 3450
 Current (A) : 16
 Voltage (V) : 220-240
 Frequency (Hz) : 50; 60
 Plug type : no plug

Included accessories

2 x combination grid, 1 x universal pan

Optional accessories

Z11SZ00X0 SeamlessCombination mounting kit
 Z11SZ80X0 SeamlessCombination 60 + 29cm
 Z11SZ90X0 SeamlessCombination 60 + 45cm
 Z11TC10X0 ComfortFlex Rail (1 level)
 Z11TC16X0 ComfortFlex Rail (1 level)
 Z12CB10A0 Baking tray, anthracite enamelled
 Z12CM10A0 Moussaka pan, anthracite enamelled
 Z12CU10A0 Multipurpose pan, anthracite enamelled
 Z12TF36X0 3 level telescopic rails, full ext,pyro
 Z1913X0 Baking Stone



N 70
OVEN WITH VARIOSTEAM
B57VR22NOB

Features

Heating Functions

- Oven with 12 heating methods:
 - Hot Air
 - CircoTherm® Eco
 - Top/bottom heating
 - Top/bottom heating Eco
 - Circo-roasting
 - Full surface grill
 - Centre area grill
 - CircoTherm® Intensive
 - Bread Baking
 - Bottom heating
 - Low temperature cooking
 - Keep warm
- Additional heating methods with steam: Reheating, Dough Proving
- Temperature range 40 °C - 275 °C
- Cavity volume: 71 net usable litres

Design

- Illuminated ShiftControl
- Anthracite enamel cavity with 4 shelf positions

Cleaning

- Pyrolytic self cleaning
- EasyClean® Cleaning aid programm
- Full glass inner door - safer touch door

Convenience

- 2.5" colour and text Display with ShiftControl
- Temperature proposal
 - Optical temperature control
 - Actual temperature display
 - Sabbath setting
- Additional functions:
 - Descaling program
 - Steam cooking function (system steamer accessory required)
 - Drying function
- Slide&Hide® door, SoftOpen
- Automatic programs
- Number of automatic programmes: 14 PC
- Electronic clock
- Rapid heating-up
- LED lighting
- Large 1 litre water tank
- Water tank empty indicator
- Location of the steam generator is outside of the cavity
- Cooling fan
- Stainless-steel fan
- Info button
- Revolution handle

Hook-in racks / rails

- Cavity with shelf support rails, Telescopic slide-out Accessory

Accessories

- 2 x combination grid, 1 x universal pan

Safety and Environment

- Individual adjustable child lock
 - Safety switch off
 - Residual heat indicator
 - start button
 - Door contact switch
- Quadruple glazed CoolTouch door

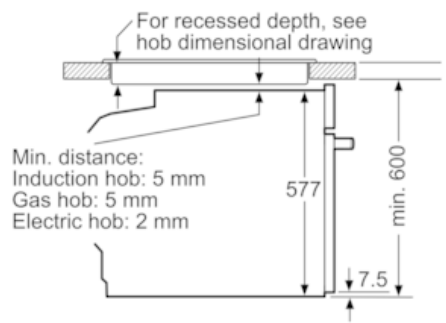
Technical Info

- Length of mains cable: 120 cm
- Total connected load electric: 3.45 KW
- Appliance dimensions (HxWxD): 595 mm x 596 mm x 548 mm
- Installation dimensions (HxWxD): 585 mm - 595 mm x 560 mm - 568 mm x 550 mm
- Please reference the built-in dimensions provided in the installation drawing

N 70
 OVEN WITH VARIOSTEAM
 B57VR22NOB

Dimensioned drawings

Installation with a hob.



measurements in mm

If the appliance will be installed underneath a hob, the following worktop thicknesses (including substructure if necessary) must be taken into account.

Hob type	min. worktop thickness	
	fitted	flush
Induction hob	37 mm	38 mm
Full surface Induction hob	47 mm	48 mm
Gas hob	30 mm	38 mm
Electric hob	27 mm	30 mm

