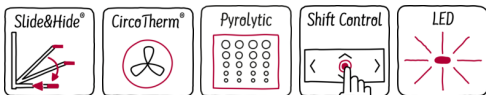


N 70, Built-in oven, 60 x 60 cm, Graphite
B57CR22G0B



COOKING PASSION SINCE 1877



Built-in oven with SLIDE&HIDE® - unrestricted access to the oven interior.

- ✓ Slide&Hide® - the door disappears underneath the oven for unrestricted access and the handle rotates for easy handling
- ✓ CircoTherm® - our smart hot-air solution for simultaneous baking and roasting on up to four levels
- ✓ The duo for perfect cleaning: Pyrolysis after heavy use - the oven interior cleans itself. EasyClean® - the environment-saving option for fast oven cleaning.
- ✓ ShiftControl - fast navigation through menus and simple operation with the TFT display.
- ✓ LED Lights - bright illumination exactly where you need it

Features

Technical Data

Color / Material Front : Graphite
 Built-in / Free-standing : Built-in
 Cleaning : Pyrolytic+Hydrolytic
 Required niche size for installation (HxWxD) : 585-595 x 560-568 x 550
 Dimensions (HxWxD) : 595 x 596 x 548
 Dimensions of the packed product (HxWxD) (mm) : 675 x 690 x 660
 Control Panel Material : Stainless steel
 Door Material : Glass
 Net weight (kg) : 40.571
 Usable volume of cavity (l) : 71
 Heating functions : Bottom heat, Bread Baking Setting, Conventional heat, Dough proving setting, Full width grill, Half width grill, Hot Air-Eco, Hot Air grilling, Low temperature cooking, Pizza setting
 Oven control : electronic
 Number of interior lights : 1
 Approval certificates : CE, VDE
 Length electrical supply cord (cm) : 120
 EAN code : 4242004255352
 Number of cavities (2010/30/EC) : 1
 Energy efficiency rating : A+
 Energy consumption per cycle conventional (2010/30/EC) : 0.87
 Energy consumption per cycle forced air convection (2010/30/EC) : 0.69
 Energy efficiency index (2010/30/EC) : 81.2
 Connection Rating (W) : 3450
 Fuse protection (A) : 16
 Voltage (V) : 220-240
 Frequency (Hz) : 50; 60
 Plug type : no plug

Optional accessories

Z11SZ00X0	SeamlessCombination mounting kit
Z11SZ90G0	SeamlessCombination 60 + 45cm
Z11TC10X0	ComfortFlex Rail (1 level)
Z11TC16X0	ComfortFlex Rail (1 level) and racks
Z12CB10A0	Baking tray, anthracite enamelled
Z12CM10A0	Moussaka pan, anthracite enamelled
Z12CU10A0	Multipurpose pan, anthracite enamelled
Z12TF36X0	3 level telescopic rails, full ext,pyro
Z1913X0	Baking Stone



Features

Heating Functions

- Oven with 12 heating methods:
 - Hot Air
 - Bread Baking
 - Full surface grill
 - Dough proving
 - CircoTherm® Eco
 - Centre area grill
 - Top/bottom heating
 - Top/bottom heating Eco
 - CircoTherm® Intensive
 - Low temperature cooking
 - Bottom heating
 - Circo-roasting

- Temperature range 40 °C - 275 °C
- Cavity volume: 71 net usable litres

Hook-in racks / rails

- Number of shelf levels: 4 PC
- Telescopic rails: Large capacity oven with shelf supports, Telescopic shelf rails available as optional accessory

Design

- Graphite-Grey Edition
- Illuminated ShiftControl
- Anthracite enamel cavity with 4 shelf positions

Cleaning

- Pyrolytic self cleaning
- EasyClean® Cleaning aid programm
- Full glass inner door - safer touch door

Convenience

- 2.5" colour and text Display with ShiftControl
- Electronic clock with start / stop function
- Automatic temperature proposal
 - Actual temperature display
 - Optical temperature control
- Slide&Hide® door, SoftOpen
- Revolution handle
- Rapid heating-up: automatic
- LED lighting
- Cooling fan
- Stainless-steel fan

Safety and Environment

- Low door temperature during pyrolytic cleaning
- Maximum door temperature 30° C
- Automatic door lock during pyrolysis
 - Individual adjustable child lock
 - Safety switch off
 - Residual heat indicator
 - Start button
 - Door contact switch

Accessories

- 1 x combination grid, 1 x universal pan

Technical Info

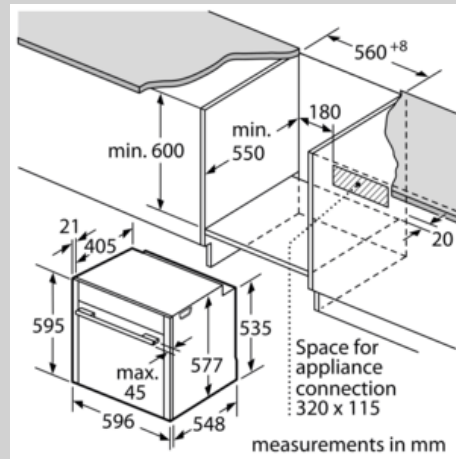
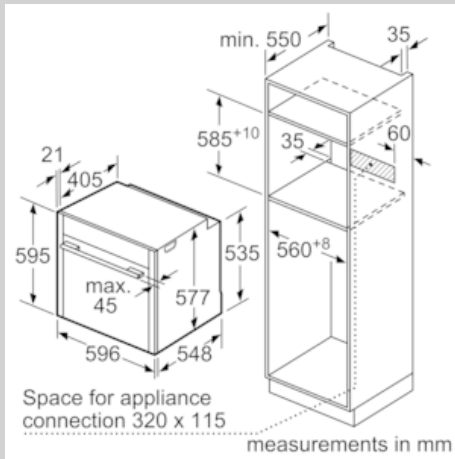
- Length of mains cable: 120 cm
- Nominal voltage: 220 - 240 V
- Total connected load electric: 3.45 KW

Dimensions

- Appliance dimensions (HxWxD): 595 mm x 596 mm x 548 mm
- Installation dimensions (HxWxD): 585 mm - 595 mm x 560 mm - 568 mm x 550 mm
- Please reference the built-in dimensions provided in the installation drawing

N 70, Built-in oven, 60 x 60 cm, Graphite
B57CR22G0B

Dimensioned drawings



If the appliance will be installed underneath a hob, the following worktop thicknesses (including substructure if necessary) must be taken into account.

Hob type	min. worktop thickness	
	fitted	flush
Induction hob	37 mm	38 mm
Full surface Induction hob	47 mm	48 mm
Gas hob	30 mm	38 mm
Electric hob	27 mm	30 mm

