

ARTONA-S SILGRANIT™

High arch pull down tap

BLANCO

ARTONASA

Anthracite and brushed chrome dual finish



Key Features

European design

European styling and engineering

Ceramic Disk Cartridge

Durable and long lasting ceramic disk technology

Pull down dual spray function Design

Stylish and practical design equipped with a pull down head for maximum flexibility. Change between normal or spray flow with the press of a button

High Arch Goose Neck

The high arched goose neck will allow you to clean dishes and fill pots and vases with ease

Dual Silgranit™ Look

Available in brushed chrome and Anthracite Silgranit™ look making it simple to have the perfect finish in your kitchen

Specifications

Material:

Anthracite and chrome

WELS Rating:

6

Litres Per Minute:

4.5

Recommended Pressure:

300kPa

Min Pressure:

150kPa

Max Pressure:

1000kPa

Dimensions:

400mm total height

200mm spout length

255mm spout height

Spout Swivel:

180°

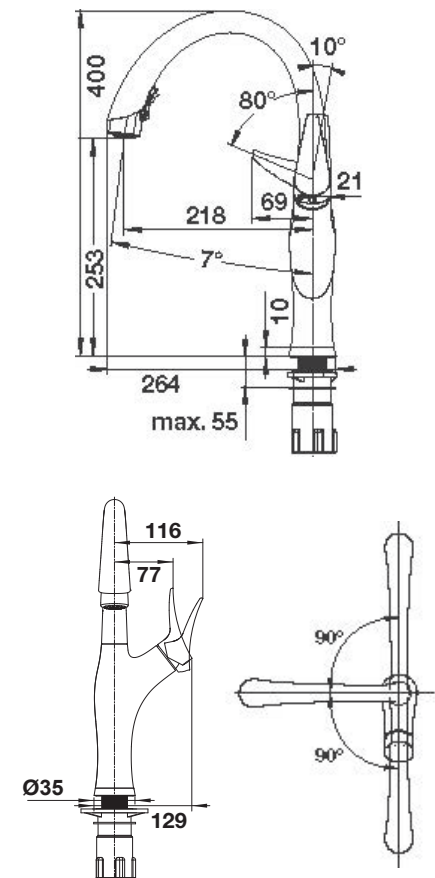
Mounting Hole:

Ø 54 mm tap hole required

Warranty:

10 years

Line Drawings



Note: Measurements are within 2 - 3mm of factory tolerance. It is advisable to check dimensions of physical product when measuring for installations and before doing any cut outs.
*Due to continual product development the information provided is not final and may be subject to change.