

TECHNICAL DATASHEET

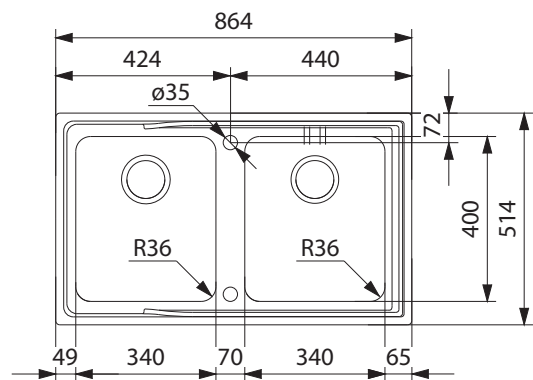
ATON ANX 220

Product Category	Sinks
Finish	Stainless Steel
Installation	Inset/Flushmount
Range	ATON
Model	ANX 220
Warranty	50 Years



PRODUCT INFORMATION

Article Number	127.0283.679
Dimensions	864 x 514mm
Cabinet Base	800mm
Bowl Size	340 x 400 x 190mm/25L (x2)
Bowl Radius	36mm
Cut-Out Size	Inset: 855 x 506mm, cr=20 Flushmount: utilise DXF file
Cut-Out Template	Yes
Waste Outlet	Semi Integrated Waste
Overflow	Yes
Tap Holes	Yes (cut out 35mm)
Remote Waste	Yes
Opposite Configuration	-
Accessories	1 2 3 4 5



1 ACCESSORIES AVAILABLE **1** ACCESSORIES INCLUDED

ACCESSORIES

- | | | | | |
|---|---|---|---|---|
| 1 | 2 | 3 | 4 | 5 |
|  |  |  |  |  |
| RM 42
Rollamat | CB 104
Chopping Board | SB 112
Strainer Bowl | DB 448
Drainer Basket | CR 113
Champagne Flute Rack |

FEATURES & BENEFITS

- | | | | | | | |
|---|--|---|--|--|--|--|
|  FPC Food Preparation Centre |  18/10 Stainless Steel |  Remote-Operated Waste |  Waste to Rear of Main Bowl |  Franke Hidden Overflow |  Sound Deadening Pads |  Flushmount Fit |
|---|--|---|--|--|--|--|

LAST UPDATED: 14 JAN 2016

Make it wonderful

FRANKE