

# TECHNICAL DATASHEET

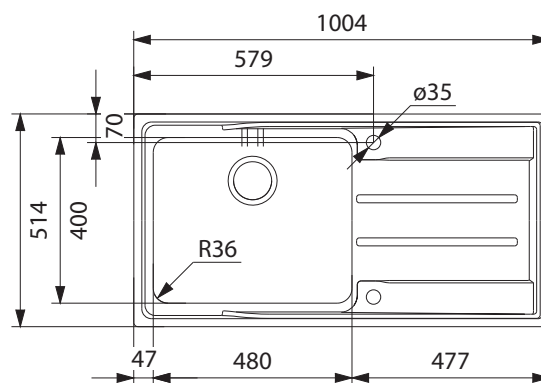
ATON ANX 211 RHD

Product Category	Sinks
Finish	Stainless Steel
Installation	Inset/Flushmount
Range	ATON
Model	ANX 211 RHD
Warranty	50 Years



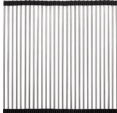
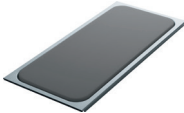



## PRODUCT INFORMATION

Article Number	127.0283.676
Dimensions	1004 x 514mm
Cabinet Base	600mm
Bowl Size	480 x 400 x 190mm/36L
Bowl Radius	36mm
Cut-Out Size	Inset: 995 x 506mm, cr=20 Flushmount: utilise DXF file
Cut-Out Template	Yes
Waste Outlet	Semi Integrated Waste
Overflow	Yes
Tap Holes	Yes (cut out 35mm)
Remote Waste	Yes
Opposite Configuration	127.0283.678
Accessories	<b>1</b> <b>2</b> <b>3</b> <b>4</b> <b>5</b>



**1** ACCESSORIES AVAILABLE    **1** ACCESSORIES INCLUDED

## ACCESSORIES

- |   |   |   |   |   |
|---|---|---|---|---|
| <b>1</b>  | <b>2</b>  | <b>3</b>  | <b>4</b>  | <b>5</b>  |
|  |  |  |  |  |
| <b>RM 42</b><br>Rollamat  | <b>CB 104</b><br>Chopping Board   | <b>SB 112</b><br>Strainer Bowl  | <b>DB 448</b><br>Drainer Basket   | <b>CR 113</b><br>Champagne Flute Rack   |

## FEATURES & BENEFITS

- |  |   |   |  |  |  |  |
|--|---|---|--|--|--|--|
|  Food Preparation Centre |  Stainless Steel |  Remote-Operated Waste |  Waste to Rear of Main Bowl |  Franke Hidden Overflow |  Sound Deadening Pads |  Flushmount Fit |
|--|---|---|--|--|--|--|

LAST UPDATED: 14 JAN 2016

Make it wonderful

**FRANKE**