

# ALTA SILGRANIT™

Single lever mixer tap

# BLANCO

ALTAA Anthracite



ALTAB Black



ALTAG Rock Grey



ALTAW White



## Key Features

### Engineered in Germany

Elegant mixture of chrome and SILGRANIT™ design greatly impresses and will suit all types of kitchen sinks, products and worktops.

### SILGRANIT™ and Chrome

Colour version in perfect coordination with coloured SILGRANIT™ sinks and bowls.

### 360° Swivel Spout

Allows better access to the sink for washing large items.

### Swivel Ended Spout

The front part of the spout can be turned, making it easier to fill large bottles.

### High Clearance Outlet

Giving greater ability to clean larger items in confined space.

## Specifications

### Material:

Available in anthracite and chrome, black and chrome, rock grey and chrome and white and chrome

### Recommended Pressure:

300kPa

### Min Pressure:

150kPa

### Max Pressure:

1000kPa

### Dimensions:

200mm spout length  
155mm spout height  
218mm tap height

### Mounting Hole:

Ø 35 mm tap hole required

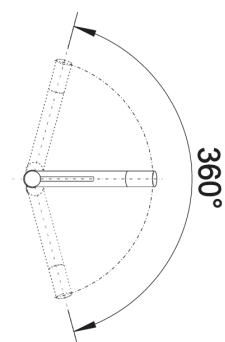
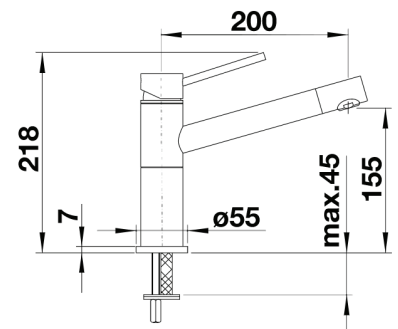
### Standard Inclusions:

Australian standard flexible hose and fittings  
Stabilising plate to increase stability of the tap when fitted in stainless steel sinks

### Warranty:

10 years

## Line Drawings



Note: Measurements are within 2 - 3mm of factory tolerance. It is advisable to check dimensions of physical product when measuring for installations and before doing any cut outs.  
\*Due to continual product development the information provided is not final and may be subject to change.