

ALTASA, ALTASG & ALTASW

BLANCO



Model Code

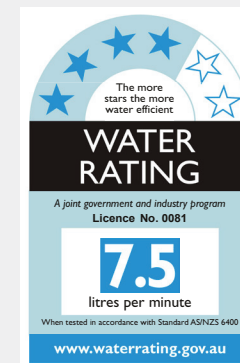
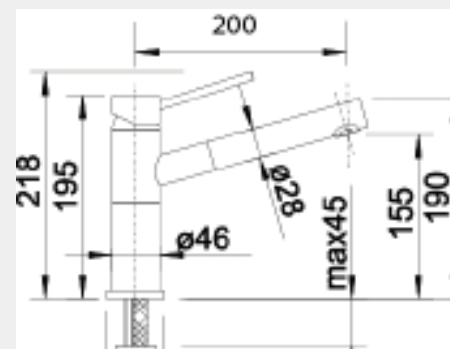
ALTASA - Anthracite
 ALTASG - Rock grey
 ALTASW - White

Description

Single lever mixer tap with pull out arm

Warranty

10 year warranty



Features

Benefits

Engineered In Germany	Elegant mixture of chrome and SILGRANIT™ design greatly impresses and it will suit all types of kitchen sinks, products and worktops.
SILGRANIT™ and Chrome - Dual Finish Design	Colour version in perfect coordination with coloured SILGRANIT™ sinks and bowls.
128° Swivel Spout	Allows better access to the sink for washing large items.
Metal-sheathed Spray Hose	Pull out hand spray with metal sheathed hose ensures longevity of the tap.
High Clearance Outlet	Giving greater ability to clean larger items in confined space.

Material:	Available in anthracite and chrome, rock grey and chrome, white and chrome
Recommended Pressure:	300 kPa
Min Pressure:	150 kPa
Max Pressure:	1000 kPa
Dimensions:	Suitable for main or balanced water pressure 200 mm Spout length 155 mm Spout Height 218 mm Tap Height
Mounting Hole:	Ø35 mm tap hole required
Standard Inclusions:	Australian standard flexible hose and fittings
Inclusions:	Stabilising plate to increase stability of the tap when fitted in stainless steel sinks
Warranty:	10 years

Note: Measurements are within 2 - 3mm of factory tolerance. It is advisable to check dimensions of physical product when measuring for installations and before doing any cut outs.

*Due to continual product development the information provided is not final and may be subject to change.