

ALTAS

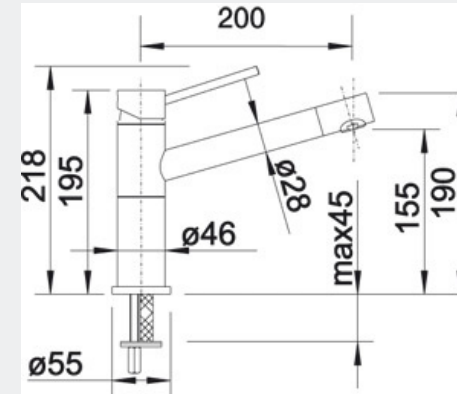
BLANCO



Model Code
ALTAS (Chrome)

Description
Single lever mixer tap with pull out arm

Warranty
10 year warranty



The more stars the more water efficient

WATER RATING
www.waterrating.gov.au

7.5 litres per minute

In accordance with Standard AS/NZS 6400

Licence No.0081
Newform S.p.A

Features

Benefits

Engineered in Germany	Elegant chrome finish that greatly impresses and which will suit all types of kitchen sinks, products and worktops. It is a durable design that is easily cleaned and maintenance free.
128° Swivel Spout	Allows better access to the sink for washing large items.
Metal-sheathed hose	Pull out hand spray with metal sheathed hose ensures longevity of the tap.
High Clearance Outlet	Giving greater ability to clean larger items in confined space.
Ceramic Disk Cartridge	Durable and long lasting ceramic disk technology.

Material:	Chrome
Recommended Pressure:	300 kPa
Min Pressure:	150 kPa
Max Pressure:	1000 kPa
	Suitable for main or balanced water pressure
Spray Hose Length Total:	1500mm
Extension Hose Length:	450mm
Dimensions:	200 mm Spout length 155 mm Spout Height 218mm Tap Height
Mounting Hole;	Ø35 mm tap hole required
Standard Inclusions:	Australian standard flexible hose and fittings
Inclusions:	Stabilising plate to increase stability of the tap when fitted in stainless steel sinks
Warranty:	10 years

Note: Measurements are within 2 - 3mm of factory tolerance. It is advisable to check dimensions of physical product when measuring for installations and before doing any cut outs.