

TQ 1000 WP Nova Edition
9 kg I M Touch Pro I QuickPowerDry I SteamCare I WoolDry
T2 heat-pump dryer.



- With QuickPowerDry you can tumble dry your laundry in just 49 minutes*
- WoolDry ensures that your woollen textiles are dried gently in the machine
- SteamCare reduces ironing time by up to 50% and freshens up your clothes
- The large colour M Touch Pro display makes operation highly convenient

* Programme running time may vary depending on the load. Time measured for 4 kg of minimum iron items with 30% residual moisture.

EAN: 4002516862505 / Material number: 12695720

Available display languages

Available display languages via MultiLingua

Bahasa Malaysia, Dansk, Deutsch, Eesti, English, English (AU), English (CA), English (GB), English (US), Español, Français, Français (CA), Français (FR), Hrvatski, Italiano, Latviešu, Lietuviu, Magyar, Nederlands, Norsk, Polski, Português, Русский, Slovenščina, Srpski, Suomi, Svenska, Türkçe, Українська, Čeština, Σλληνικά.

Construction type

Appliance colour	Lotus white
Suitable for stacking	•
Door hinging	Left
Built-in	•
Side-by-side	•

Model

Heat-pump dryer	•
-----------------	---

Design

Door and panel design	BlackEffect
Control panel version	Slanted
Control type	Touch control
Display	M Touch Pro
AmbientLight	•
MotionReact	•

Drying results

PerfectDry precision drying	•
FragranceDos² fragrance system	•
SteamCare steam system	•
PowerDry	•
Intelligent drum reversal	•
HygieneDry	•

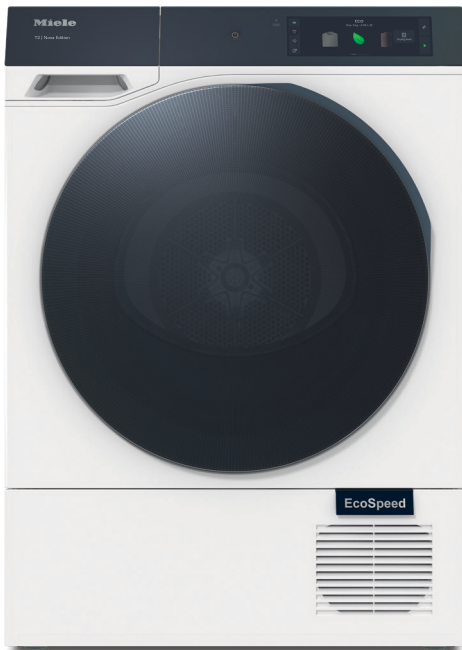
Gentle laundry care

SilenceDrum	•
Load in kg	9.0

Convenience features

Networking with Miele@home	•
Wash2Dry	•
Delay start up to 24 hours	•
Time left display	•
Time of day display	•
Programme sequence indicator	•
Information text	•
Drum lighting	•
Favourite programmes	•
Drum lighting	LED

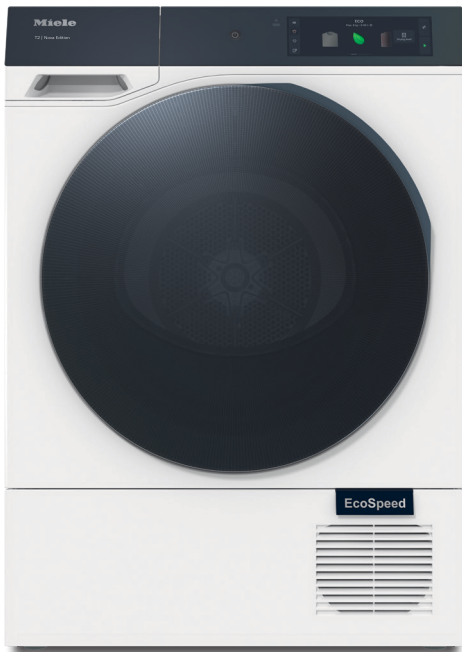
TQ 1000 WP Nova Edition
 9 kg | M Touch Pro | QuickPowerDry | SteamCare | WoolDry
 T2 heat-pump dryer.



EAN: 4002516862505 / Material number: 12695720

MultiLingua	•
Acoustics package for the lowest sound emissions	•
Condensate container	•
Integrated condensed water drainage	•
AddLoad	•
ComfortOpen	•
Efficiency and sustainability	
Energy rating	10 Stars
Energy rating registration	ACD0834
Annual energy consumption in kWh	102
Condensation efficiency class	A
EcoFeedback	•
EcoDry technology	•
Maintenance-free heat exchanger	•
ProfiEco motor	•
EcoSpeed	•
Drying programmes	
Automatic	•
Cottons	•
ECO	•
Minimum iron	•
Delicates	•
Silks handcare	•
Woollens handcare	•
Woollens	•
Express	•
Denim	•
Outerwear	•
Proofing	•
Sportswear	•
Cool air	•
Warm air	•
Basket programme	•
Smoothing	•
Bed linen	•
Shirts/Blouses	•
QuickPowerDry	•
QuickHygiene	•
PowerFresh	•
Down-filled items/Duvets	•
DryFresh	•

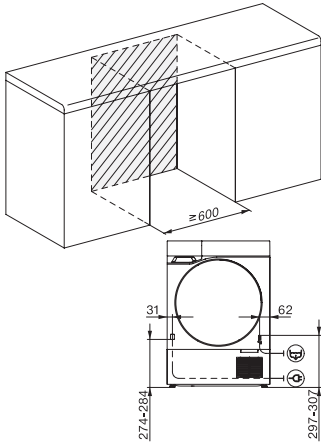
TQ 1000 WP Nova Edition
9 kg I M Touch Pro I QuickPowerDry I SteamCare I WoolDry
T2 heat-pump dryer.



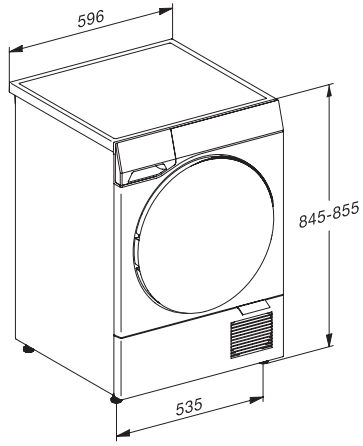
EAN: 4002516862505 / Material number: 12695720

Drying extras	
Anti-crease	•
Gentle tumble	•
Extra quiet	•
Quick	•
SingleDry	•
DryCare 40	•
Favourites	•
AddProgrammes	•
Save energy	•
Pre-ironing	•
Quality	
Soft ribs	•
Safety	
Safety lock	•
PIN code	•
Empty out container indicator	•
Clean filter indicator	•
Technical data	
Dimensions (H x W x D) in mm	850 x 596 x 643
Dimensions in mm (width)	596
Dimensions in mm (height)	850
Dimensions in mm (depth)	643
Appliance depth in mm with opened door	1110
Weight in kg	55
Voltage in V	230
Fuse rating in A	10
Frequency in Hz	50
Total rated load in kW	1.10
Length of supply lead in m	2.0
Hermetically sealed	•
Type of coolant	R290
Refrigerant quantity in kg	0.14
Refrigerant global warming potential in CO ₂ e	3
Appliance global warming potential in CO ₂ e	0.44
Accessories supplied	
Fragrance flacon	•
Voucher for a second fragrance flacon	•

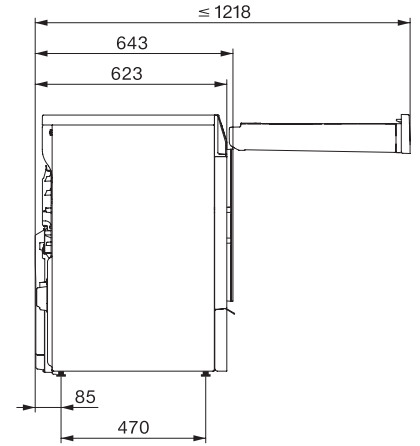
TQ 1000 WP Nova Edition Installation diagrams



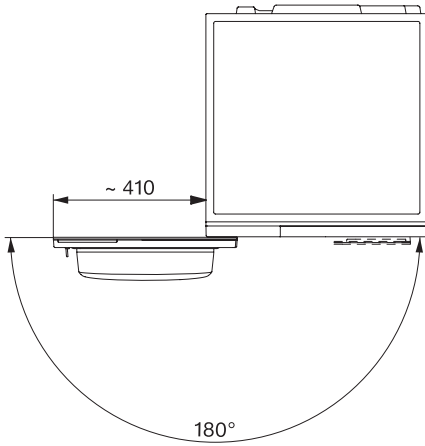
T2 drawing, fascia 17 degree,
measures in mm



T2 drawing, fascia 17 degree,
measures in mm



T2 drawing, fascia 17 degree, with
QuickPowerDry, measures in mm



T2 drawing, fascia 17 degree, with
QuickPowerDry, measures in mm