

KM 7363 FL

Induction cooktop with flex cooking zone for large pots and pans



- Contemporary design - 620 mm wide with frameless design for flush or surface mounted installation
- Versatile and fast - 4 cooking zones in various sizes including 1 flex cooking area
- Intuitive to operate - ComfortSelect sensor controls
- Pan size recognition - Size of pan is recognised by the cooktop and energy is only supplied to the area only
- Communication with the rangehood - automatic Con@ctivity function
- Network-enabled WiFi appliance Miele@home

EAN: 4002516758563 / Material number: 12399780

Heating type	
Heating type	Induction
Construction type	
Independent of cooker	•
Design	
Elegant glass ceramic surface	•
Ceramic surface colour	Black
Cooking zone details	
Number of cooking zones	4
Maximum number of pots and pans	4
PowerFlex cooking zones	
Number	2
Type	Flex cooking zone
Size in mm	110-210
Max. power rating in W	2100
Max. Booster power rating in W	3000
1st cooking zone/cooking area	
Position	Front left
Type	Vario cooking zone
Size in mm	90-160
Max power rating in W	1400
Max booster in W	1850
2nd cooking zone/cooking area	
Position	rear left
Type	Vario cooking zone
Size in mm	110 – 220
Max power rating in W	2300
Max booster in W	3000
3rd cooking zone/cooking area	
Position	right
Type	Flex cooking zone
Size in mm	210-400
Max Power rating in W	3000
Max Booster rating in W	3700
User convenience	
Miele@home	•
Operation via sensor controls	ComfortSelect
Display colour	Yellow
Pan and pan size recognition	•
Permanent pan recognition	•
Recall function	•
Stop & Go function	•
Minute minder	•
Safety switch-off	•
Auto heat-up	•
Keeping warm	•
Extended cooking zone	•
Individual setting option (e.g. audible tones)	•
Appliance networking	
Automatic function Con@ctivity 3.0	•
Cleaning convenience	
Easy to clean ceramic surface	•

KM 7363 FL

Induction cooktop with flex cooking zone for large pots and pans

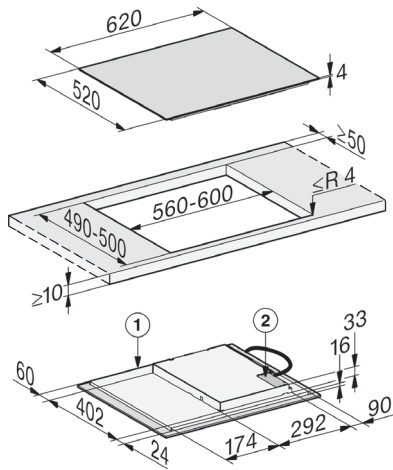


EAN: 4002516758563 / Material number: 12399780

Safety	
Safety switch-off	•
System lock	•
Lock function	•
Integrated cooling fan	•
Overheating protection	•
Residual heat indicator	•
Technical data	
Dimensions in mm (width)	620
Dimensions in mm (height)	53
Dimensions in mm (depth)	520
Casing height incl. Connection box in mm	53
Cutout dimensions in mm (width)*	560-600
Cutout dimensions in mm (depth)*	490-500
Internal cutout dimensions in mm (width) with flush installation	600
Internal cutout dimensions in mm (depth) with flush installation	500
External cutout dimensions in mm (width) with flush installation	624
External cutout dimensions in mm (depth) with flush installation	524
Total rated load in kW*	7.30
Weight in kg	8.9
Voltage in V	230
Frequency in Hz	50-60
Cable length in m	1.44
Standard accessories	
Mains cable	•

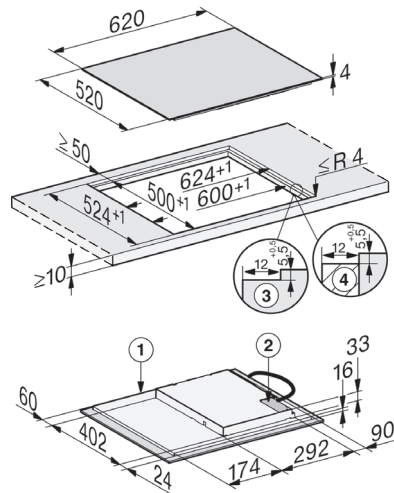
KM 7363 FL Installation diagrams

Surface mounted Installation diagram



- Key:
KM 7363 FL - (Installation drawing)
1. Front
 2. Mains connection box, mains connection cable,
L = 1440 mm, supplied loose

Flush mounted installation diagram



- Key:
KM 7363 FL - (flush installation drawings)
1. Front
 2. Mains connection box with mains connection
cable, L = 1440 mm
 3. Stepped cut-out natural stone worktop
 4. Wood support 12 mm (not supplied)