

KM 7360 FL

Induction cooktop with 3 individual cooking zones



- Contemporary design - 620 mm wide with frameless design for flush or surface mounted installation
- Versatile and fast - 3 cooking zones in various sizes
- Intuitive to operate- ComfortSelect sensor controls
- Pan size recognition - Size of pan is recognised by the cooktop and energy is only supplied to the area only
- Communication with the rangehood - automatic Con@ctivity function
- Network-enabled WiFi appliance Miele@home

EAN: 4002516758457 / Material number: 12399760

Heating type	
Heating type	Induction
Construction type	
Independent of cooker	•
Design	
Elegant glass ceramic surface	•
Ceramic surface colour	Black
Cooking zone details	
Number of cooking zones	3
Maximum number of pots and pans	3
1st cooking zone/cooking area	
Position	left centre
Type	Vario cooking zone
Size in mm	140 - 280
Max power rating in W	2300
Max booster in W	3000
2nd cooking zone/cooking area	
Position	rear right
Type	Vario cooking zone
Size in mm	110-120
Max power rating in W	2300
Max booster in W	3000
3rd cooking zone/cooking area	
Position	front right
Type	Vario cooking zone
Size in mm	90-160
Max Power rating in W	1400
Max Booster rating in W	1850
User convenience	
Miele@home	•
Operation via sensor controls	ComfortSelect
Digital power level display	•
Pan and pan-size recognition	•
Permanent pan recognition	•
Stop & Go function	•
Minute minder	•
Safety switch-off	•
Auto heat-up	•
Keeping warm	•
Recall function	•
Individual setting options (e.g. audible signal tones)	•
Display colour	Yellow
Appliance networking	
Automatic function Con@ctivity 3.0	•
Cleaning convenience	
Easy to clean ceramic surface	•

KM 7360 FL

Induction cooktop with 3 individual cooking zones

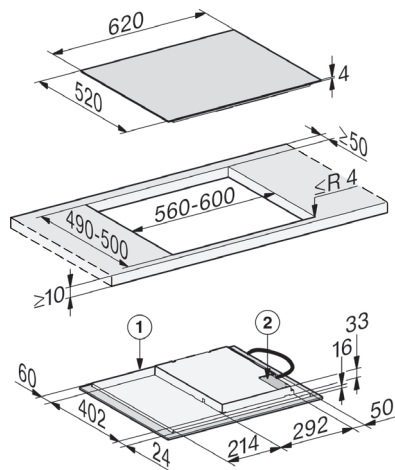


EAN: 4002516758457 / Material number: 12399760

Safety	
Safety switch-off	•
System lock	•
Lock function	•
Integrated cooling fan	•
Overheating protection	•
Residual heat indicator	•
Technical data	
Dimensions in mm (width)	620
Dimensions in mm (depth)	520
Dimensions in mm (height)	53
Cutout dimensions in mm (width)* for surface mounted installation	560-600
Cutout dimensions in mm (depth)* for surface mounted installation	490-500
External cutout dimensions in mm (width) flush installation	624
External cutout dimensions in mm (depth) with flush installation	524
Casing height incl. connection box in mm	48
Weight in kg	8.45
Total connected load in kW	6.60
Voltage in V	230
Frequency in Hz	50-60
Cable length in m	1.44
Accessories supplied	
Mains cable	•

KM 7360 FL Installation diagrams

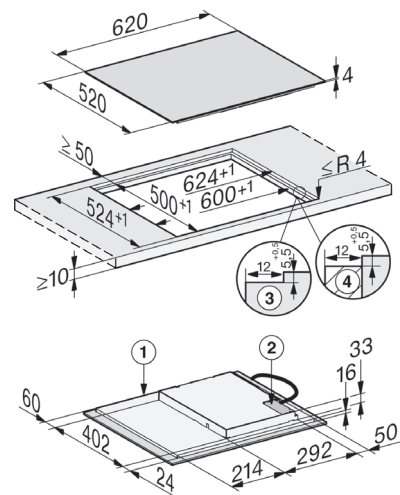
Surface mounted Installation diagram



Key:

1. Front
2. Mains connection box, mains connection cable,
L = 1440 mm, supplied loose

Flush mounted installation diagram



Key:

1. Front
2. Mains connection box with mains connection
cable, L = 1440 mm
3. Stepped cut-out natural stone worktop
4. Wood support 12 mm (not supplied)

Please refer to installation drawings for flush cutout dimensions