

DGC 7845 HCX Pro

Handleless compact combi steam oven with mains water and drain connection for steam cooking, baking, roasting with wireless food probe + HydroClean.



EAN: 4002516715764 / Material number: 12326430

- Large touch display with proximity sensor – M Touch + MotionReact
- Perfect results – DualSteam technology
- Crispy outside, succulent inside – combination cooking
- Miele@home – network-enabled WiFi appliance + Mix & Match
- Easy cleaning – HydroClean and stainless steel oven interior

Construction type	
Appliance colour	Matte Black
Construction type and design	
Steam combination oven	•
ArtLine	•
Handleless	•
Convenience features	
Rapid heat-up	•
Pre-heating	•
External steam generation	•
Oxygen sensor	•
Individual humidity settings in combination cooking	•
Menu cooking without transfer of taste	•
Mix & Match	•
Food probe	Without cable
Automatic programmes with ability to make individual adjustments	•
Keeping warm	•
Crisp function	•
Operating modes	
Defrosting	•
Automatic programmes	•
Country-specific Automatic programmes	•
Combi mode	•
Combi mode with Fan Plus	•
Combi mode with Conventional Heat	•
Combi mode with Full Grill	•
Steam cooking	•
Sous-vide	•
Reheat	•
Roast with moisture	•
Grill operating modes	•
Grill	•
Economy Grill	•
Fan Plus	•
Intensive Bake	•
Cake Plus	•
Conventional Heat	•
Top Heat	•
Bottom Heat	•
Fan Grill	•
Eco Fan Heat	•
Eco steam cooking	•
Heating crockery	•
Special applications	•
User convenience	
Networking with Miele@home	•
Display	M Touch

DGC 7845 HCX Pro

Handleless compact combi steam oven with mains water and drain connection for steam cooking, baking, roasting with wireless food probe + HydroClean.



EAN: 4002516715764 / Material number: 12326430

MotionReact proximity sensor	•
MotionReact: light comes on when movement is detected	•
MotionReact: display comes on when movement is detected	•
MotionReact: audible signal is acknowledged when movement is detected	•
MotionReact: detection of cabinet fronts	•
SoftOpen	•
Touch2Open	•
MultiLingua	•
MyMiele	•
Help function	•
Motorised lift-up control panel with SoftClose	•
Quantity-independent cooking	•
Steam cooking on up to 3 levels at the same time	•
Automatic menu cooking	•
Steam reduction before end of programme	•
Polyphonic buzzers	•
Time of day display	•
Date display	•
Minute minder	•
Programmable start of cooking duration	•
Programmable end of cooking duration	•
Programmable cooking duration	•
Actual temperature display	•
Target temperature display	•
Buzzer when desired temperature is reached	•
Recommended temperature	•
User programmes	•
Individual settings	•
Cleaning convenience	
Stainless-steel oven interior with linen structure	•
Hinged grill element	•
External steam generator	•
HydroClean	•
Maintenance programmes	•
Soak programme	•
Rinse programme	•
Oven compartment drying programme	•
Quick-release side racks	•
Removable stainless-steel side racks	•
Automatic descaling	•
CleanGlass door	•
Steam technology / Water supply	
DualSteam	•
Steam generator power in kW	3.30
DirectWater plus	•
Drain filter	•

DGC 7845 HCX Pro

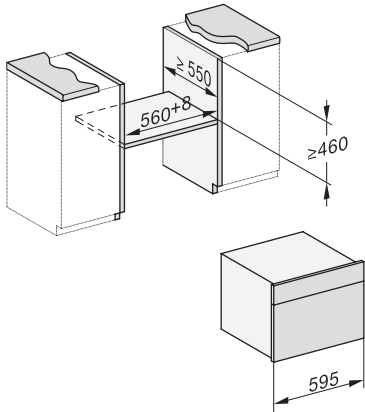
Handleless compact combi steam oven with mains water and drain connection for steam cooking, baking, roasting with wireless food probe + HydroClean.



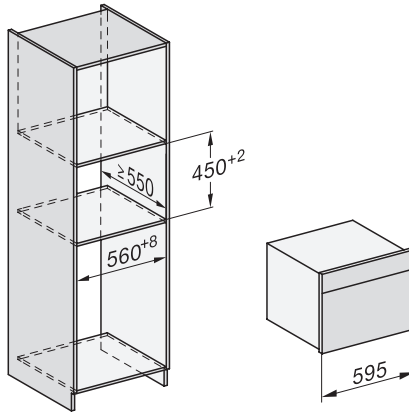
EAN: 4002516630203 / Material number: 12087840

Safety	
Appliance cooling system and touch-cool front	•
Auto switch-off	•
System lock	•
Vapour cooling system	•
Sensor lock	•
Technical data	
Oven compartment volume in l	47
No. of shelf levels	3
Numbered shelf levels	•
Door hinge	Bottom
Oven light	BrilliantLight
Oven mode temperatures min. in °C	30
Oven mode temperatures max. in °C	230
Steam-cooking mode temperatures min. in °C	40
Steam-cooking mode temperatures max. in °C	100
Niche width min. in mm	560
Niche width max. in mm	568
Niche height min. in mm	450
Niche height max. in mm	452
Niche depth in mm	550
Appliance dimensions (W x H x D) in mm	595 x 456 x 569
Appliance width in mm	595
Appliance height in mm	455.5
Appliance depth in mm	568.5
Weight in kg	40.2
Total rated load in kW	3.40
Voltage in V	230
Frequency in Hz	50
Number of phases	1
Fuse rating in A	16
Length of water inlet hose in m	2.0
Length of water drain hose in m	3.0
Accessories supplied	
Universal tray with PerfectClean HUBB 71	1
Baking and roasting rack with PerfectClean HBBR 71	1
PerfectClean FlexiClip telescopic runners HFC 71 (pair)	1
Wireless food probe	1
Removable shelf runners (pair)	1
Perforated stainless steel steam oven containers	2
Solid stainless steel steam oven containers	1
HydroClean cleaning agent	1
Descaling tablets	2

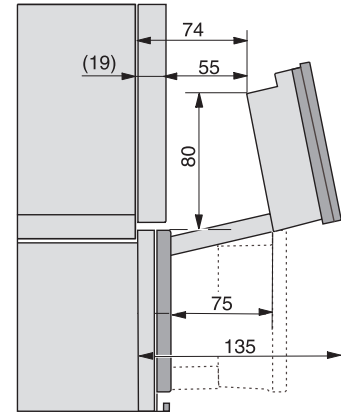
DGC 7845 HCX Pro Installation diagrams



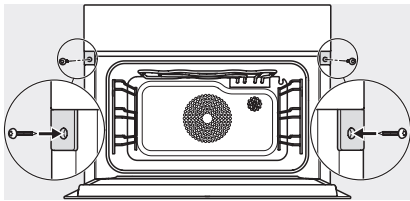
Built-in DG DGM DGC XL build-under, installation drawing.



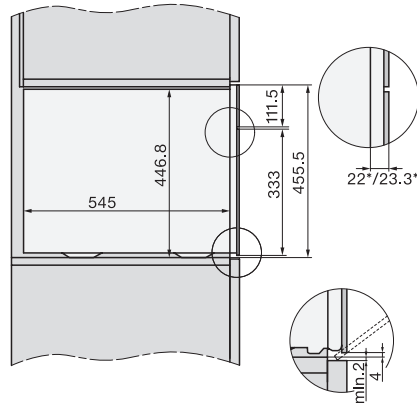
DGC7x4x built-in tall cabinet, installation drawing.



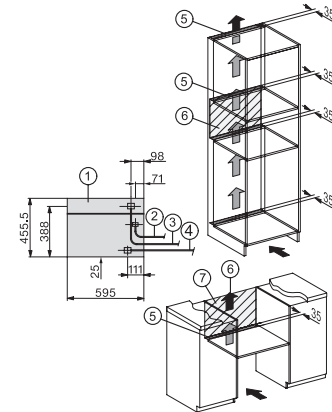
DGC7x4x swivel range of the aperture, installation drawings.



Screw joint DGC XL, installation drawing.



Side view DGC XL, installation drawing, AU
22 mm glass, 23,3 mm stainless steel.



Installation FW DGC XL, installation drawing, AU

- 1) Front view, 2) Mains connection cable, L=2,000 mm, 3) Water inlet hose (stainless steel), L=2,000 mm, 4) Water drain hose (plastic), L=3,000 mm, The ascending end of the water drain hose up to the connection to the siphon must not be higher than 500 mm., 5) Ventilation cut-out min. 180 cm²., 6) aeration and deaeration, 7) no connection in this area