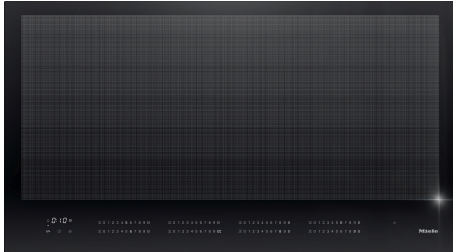


KM 7897-2 FL Diamond

Induction cooktop

Onset controls with full surface technology for the ultimate in flexibility.



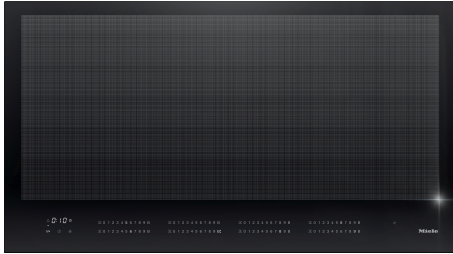
- Diamond coating finish – ensures your cooktop stays looking new for longer
- Intuitive selection via numerical linear keybank - SmartSelect White
- Attractive design - 936 mm wide with all-round frame and LightPrint
- Ultimate in flexibility - cook anywhere with up to 6 pots
- Comm. with the rangehood - automatic function Con@ctivity 3.0
- Rapid heat-up times - TwinBooster
- Flush fit or surface mounted installation

Heating type	
Heating type	Induction
Construction type	
Independent of oven	•
Design	
Elegant glass ceramic surface	•
Ceramic surface colour	Graphite Black
Print design	•
Frameless design	•
Zone details	
Full surface cooking area	Full-Surface
Cooking area	
Can be selected freely	Full-Surface, up to 6 pots
Diameter in mm	870x380
Power rating in W	2600
Booster in W	3300
Max TwinBooster in W	3650
User convenience	
Operation via touchpad controls	SmartSelect White
Digital power level display	•
Pan/Pan-size sensors	•
Stop & Go function	•
Minute minder	•
Automatic switch-off for all zones	•
AutoBoost	•
Keeping warm	•
Appliance networking	
Automatic function Con@ctivity 3.0	Pre-equipped
Cleaning convenience	
Easy to clean ceramic surface	•

KM 7897-2 FL Diamond

Induction cooktop

Onset controls with full surface technology for the ultimate in flexibility.



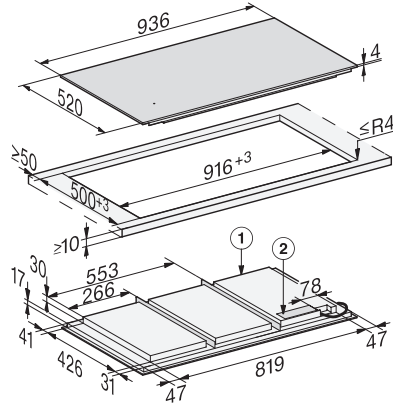
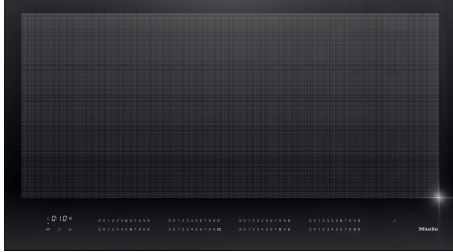
Safety	
Safety cut-out	•
Lock function	•
System lock	•
Fault monitoring	•
Integrated cooling fan	•
Overheating protection	•
Residual heat indicator	•
Technical data	
Dimensions in mm (width)	936
Dimensions in mm (depth)	520
Built-in height with mains connection box in mm	51
Cutout dimensions in mm (width)*	916
Cutout dimensions in mm (depth)*	500
Total connected load in kW	9.2
Weight in kg	16
Voltage in V	230
Frequency in Hz	50-60
Cable length in m	1.44
Standard accessories	
Connection cable	•

* Please refer to installation drawings for flush cutout dimensions

KM 7897-2 FL Diamond

Induction cooktop

Onset controls with full surface technology for the ultimate in flexibility.



1.Front. 2. Main connection box (The mains connection cable (L = 1,440 mm) is supplied loose)