

## H 2861 B

Built-in 60 cm oven with a timer, automatic programmes and AirFry mode



- Built-in oven with a broad range of operating modes from Fan Grill to Conventional Heat for all types of traditional bread and roasted dishes
- Automatic programmes for guided cooking results
- Dedicated AirFry function and recipes that offer crunchy and crisp results
- Lots of room and flexibility – 76 l oven capacity on 5 levels
- Protects against burns – touch-cool front door
- Network-enabled WiFi appliance Miele@home

EAN: 4002516647836 / Material number: 12174510

<b>Construction type and design</b>	
Built-in Oven	•
PureLine	•
Appliance Colour	Stainless steel/Clean Steel
Non-retractable knobs	•
<b>Convenience features</b>	
Rapid heat-up	•
<b>Operating modes</b>	
Automatic programmes	•
Eco fan heat	•
Grill	•
Fan plus	•
Intensive bake	•
Conventional heat	•
Bottom heat	•
Fan grill	•
AirFry	•
<b>User convenience</b>	
Display	EasyControl Plus
SoftOpen	•
SoftClose	•
Time of day display	•
Minute minder	•
Programmable start of cooking duration	•
Programmable end of cooking duration	•
Actual temperature display	•
Target temperature display	•
Audible signal when desired temperature is reached	•
Recommended temperature	•
Individual settings	•
Multilingua	•
Networking with Miele@home	•
<b>Efficiency and sustainability</b>	
Residual heat utilisation	•
<b>Cleaning and care</b>	
Stainless steel/CleanSteel finish	•
CleanGlass door	•
<b>Safety</b>	
Appliance cooling system and touch-cool front door	•
Safety switch-off	•
System lock	•
<b>Technical data</b>	
Oven compartment volume in l	76
No. of shelf levels	5
Numbered shelf levels	•
Oven light	1 halogen spot
Electronic temperature regulation min. in °C	30
Electronic temperature regulation max. in °C	300

## H 2861 B

Built-in 60 cm oven with a timer, automatic programmes and AirFry mode

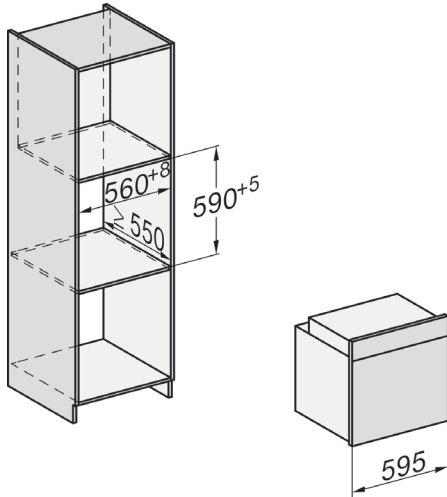


EAN: 4002516647836 / Material number: 12174510

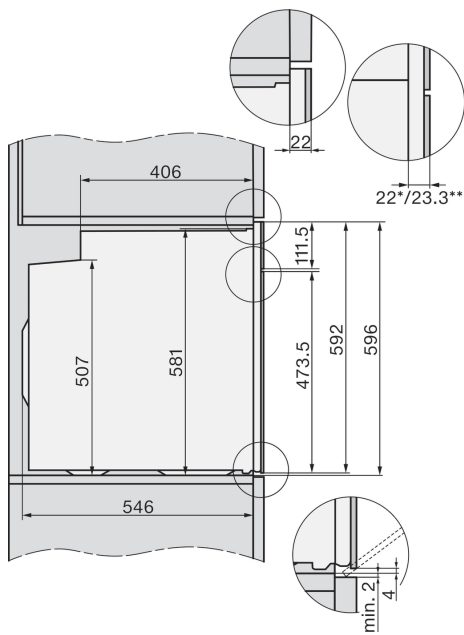
Technical data	
Niche width min. in mm	560
Niche width max. in mm	568
Niche height min. in mm	590
Niche height max. in mm	595
Niche depth in mm	550
Appliance width in mm	595
Appliance height in mm	596
Appliance depth in mm	569.3
Weight in kg	42
Total rated load in kW	3.60
Voltage in V	220-240
Frequency in Hz	50
Number of phases	1
Fuse rating in A	16
Length of supply lead in m	1.50
Accessories supplied	
Baking tray with PerfectClean	1
Universal tray with PerfectClean	1
Wire rack	2
FlexiClip runners with PerfectClean	1
Removable side runners (pair)	1
Gourmet Baking and AirFry tray	1

## H 2861 B Installation diagrams

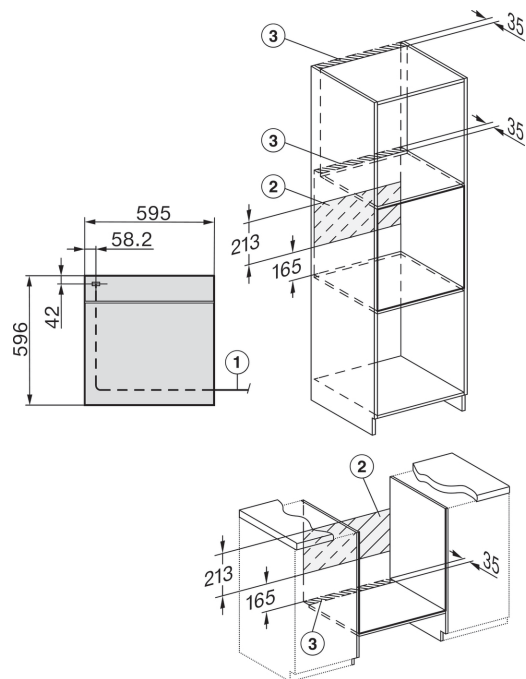
### Installation in a tall or base unit



### Side view



### Connection and ventilation



All dimensions are given in mm

Key:

1. Mains connection cable, length = 1,500 mm
2. No connections permitted in this area
3. Ventilation cut-out, min 150 cm<sup>2</sup>