

DGC 7250 PureLine CLST

Built-in steam oven

for healthy cooking with automatic programmes and networking.



- 2-in-1 appliance - oven and steam cooking for broad flexibility and a wide range of cooking styles
- MonoSteam technology for noticeably more colour, taste and vitamins
- Superior baking and roasting results with Moisture Plus
- Cook a whole range of dishes using Automatic programmes
- Keep food warm, plates and crockery with Keep Warm Function
- Network-enabled WiFi appliance – Miele@home

EAN: 4002516610199 / Material number: 12086520

Construction type and design	
Combi steam oven	2-in-1: Oven/Steam
PureLine	•
Appliance Colour	CleanSteel
Operating modes	
Rapid heat up	•
Defrosting	•
Automatic programmes	44
Crisp function	•
Auto roast	•
Moisture Plus	•
Grill	•
Fan grill	•
Fan Plus	•
Steam cooking	•
TasteControl	•
User programmes	20
Special applications e.g Dehydrating food	•
User convenience	
Networking with Miele@home	•
Display	DirectSensor S
SoftOpen	•
SoftClose	•
MultiLingua	•
Steam reduction before end of programme	•
Timer functions	•
Time of day display	•
Minute minder	•
Programmable start of cooking duration	•
Programmable end of cooking duration	•
Programmable cooking duration	•
Actual temperature display	•
Recommended temperature	•
Cleaning convenience	
Soak maintenance programme	•
Oven compartment drying programme	•
External steam generator	•
Removable stainless-steel side racks	•
CleanGlass door	•
Automatic descaling	•
Steam technology and water supply	
MonoSteam	•
Steam generator performance	2.2 kW
Fresh water container volume in l	1
Suction rod to draw in water	•
Efficiency and sustainability	
Energy efficiency rating	A+
Residual heat utilisation	•
Safety	
Appliance cooling system and touch-cool front	•
Safety switch-off	•
System lock	•
Sensor lock	•

DGC 7250 PureLine CLST

Built-in steam oven

for healthy cooking with automatic programmes and networking.



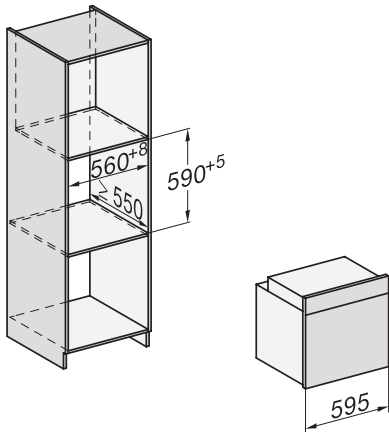
EAN: 4002516610199 / Material number: 12086520

Technical data	
Oven compartment volume in l	76
No. of shelf levels	5
Door hinge	Bottom
Oven temperature in C	30-250
Steam oven temperature in C	70-100
Niche width min. in mm	560
Niche width max. in mm	568
Niche height min. in mm	590
Niche height max. in mm	595
Niche depth in mm	550
Appliance width in mm	595
Appliance height in mm	596
Appliance depth in mm	568
Total rated load in kW	3.5
Voltage in V	230
Frequency in Hz	50-60
Fuse rating in A	16
Mains cable with plug	•
Accessories supplied	
Universal tray with PerfectClean	1
Baking tray with PerfectClean	1
FlexiClip runners (pair)	1
Wire rack	1
Perforated stainless-steel cooking container	1
Solid stainless-steel cooking containers	1
Recipe book	1
Descaling tablets	2

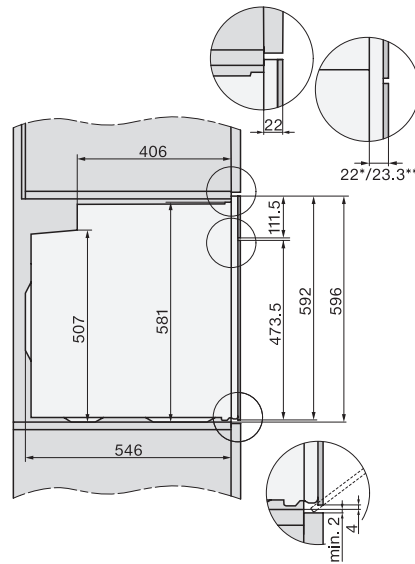
- 2-in-1 appliance - oven and steam cooking for broad flexibility and a wide range of cooking styles
- MonoSteam technology for noticeably more colour, taste and vitamins
- Superior baking and roasting results with Moisture Plus
- Cook a whole range of dishes using Automatic programmes
- Keep food warm, plates and crockery with Keep Warm Function
- Network-enabled WiFi appliance – Miele@home

DGC 7250 PureLine CLST Installation diagrams

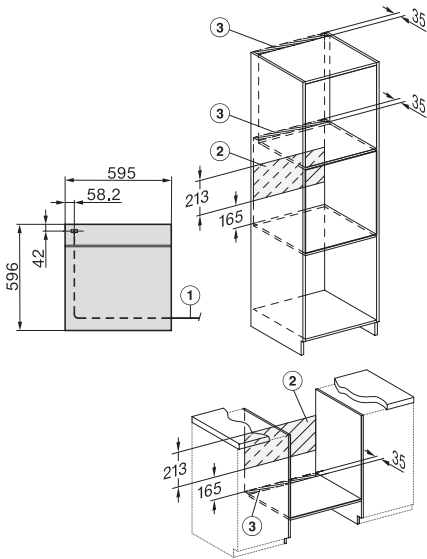
Installation in a tall or base unit



Side view



Connections and ventilation



- ① Mains connection cable, length = 1.500 mm
- ② No connections permitted in this area
- ③ Ventilation cut out, min. 150 cm²

Dimensions are given in mm