

DGC 7450 OBSW

Combi steam oven

for healthy cooking with automatic programmes and networking



- 2-in-1 appliance - oven and steam cooking for broad flexibility and a wide range of cooking styles
- MonoSteam technology for noticeably more colour, taste and vitamins
- Cook a whole range of dishes using Automatic programmes
- Crispy outside, succulent inside combination cooking
- Keep food warm, plates and crockery with Keep Warm Function
- Superior baking and roasting results with Moisture Plus
- Easy cleaning – PerfectClean enamelled oven compartment
- Network-enabled WiFi appliance – Miele@home

EAN: 4002516610779 / Material number: 11819120

Construction type and design	
Combi steam oven	•
VitroLine	•
Appliance Colour	Obsidian Black
Operating modes	
Rapid heat-up	•
Pre-heating	•
Crisp function	•
Defrosting	•
Automatic programmes	220
Combination cooking	•
Combination cooking with Fan plus	•
Combination cooking with Conventional heat	•
Combination cooking with grill	•
Steam cooking	•
Grill	•
Fan plus	•
Intensive bake	•
Conventional heat	•
Bottom heat	•
Fan grill	•
Eco fan plus	•
Special applications e.g dehydrating food	•
User convenience	
Networking with Miele@home	•
Display	DirectSensor S
SoftOpen	•
MultiLingua	•
Motorised lift-up control panel with SoftClose	•
Time of day display	•
Date display	•
Minute minder	•
Programmable start of cooking duration	•
Programmable end of cooking duration	•
Programmable cooking duration	•
Actual temperature display	•
Target temperature display	•
Buzzer when desired temperature is reached	•
Recommended temperature	•
User programmes	20
Efficiency and sustainability	
Energy efficiency rating	A+
Residual heat utilisation	•

DGC 7450 OBSW

Combi steam oven

for healthy cooking with automatic programmes and networking



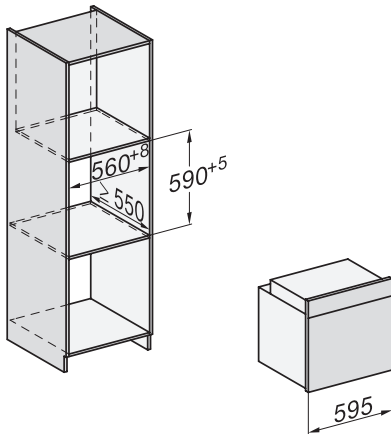
- 2-in-1 appliance - oven and steam cooking for broad flexibility and a wide range of cooking styles
- MonoSteam technology for noticeably more colour, taste and vitamins
- Cook a whole range of dishes using Automatic programmes
- Crispy outside, succulent inside combination cooking
- Keep food warm, plates and crockery with Keep Warm Function
- Superior baking and roasting results with Moisture Plus
- Easy cleaning – PerfectClean enamelled oven compartment
- Network-enabled WiFi appliance – Miele@home

EAN: 4002516610779 / Material number: 11819120

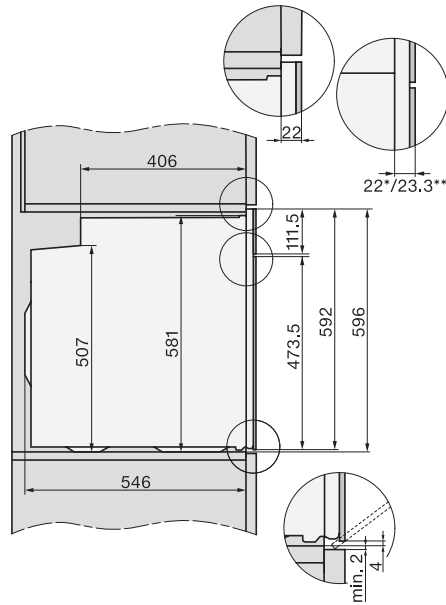
Cleaning convenience	
Enamelled oven compartment with PerfectClean	•
Soak maintenance	•
Oven compartment drying programme	•
Removable side racks	•
Automatic descaling	•
CleanGlass door	•
Steam technology and Water supply	
MonoSteam	•
Steam generator performance	2.2 kW
Fresh water container volume in l	1
Safety	
Appliance cooling system and touch-cool front	•
Safety switch-off	•
System lock	•
Vapour cooling system	•
Sensor lock	•
Technical data	
Oven compartment volume in l	76
No. of shelf levels	5
Numbered shelf levels	•
Door hinge	Bottom
Oven temperature regulation in °C	30 - 250
Steam oven temperature in °C	70 - 100
Niche width min. in mm	560
Niche width max. in mm	568
Niche height min. in mm	590
Niche height max. in mm	595
Niche depth in mm	550
Appliance width in mm	595
Appliance height in mm	596
Appliance depth in mm	568
Weight in kg	45.5
Total rated load in kW	3.5
Voltage in V	230
Frequency in Hz	50-60
Fuse rating in A	16
Mains cable with plug	•
Accessories supplied	
Universal tray with PerfectClean	1
Baking tray with PerfectClean	1
Wire rack	1
FlexiClip runners (pair)	1
Perforated stainless-steel cooking container	1
Solid stainless-steel cooking containers	1
Descaling tablets	2

DGC 7450 OBSW Installation diagrams

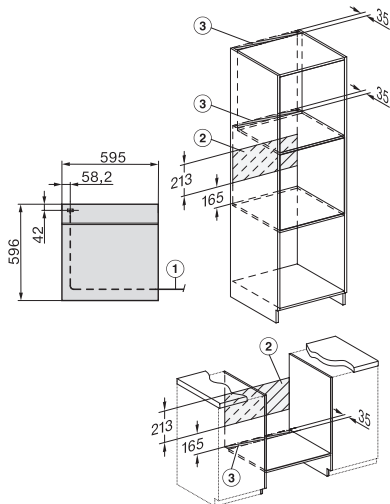
Installation in a tall or base unit



Side view



Connections and ventilation



- ① Front view
- ② No connections permitted in this area
- ③ Ventilation cut out, min. 150 cm²

Dimensions are given in mm