

DGC 7845

XL Steam combination oven with mains water and drain connection for steam cooking, baking, roasting with wireless food probe + menu cooking.



- Large touch display with proximity sensor – M Touch + MotionReact
- Perfect results – DualSteam technology
- Crispy outside, succulent inside – combination cooking
- Miele@home – network-enabled WiFi appliance + Mix & Match
- Easy cleaning – PerfectClean stainless steel oven compartment

Model and design	
Combi steam ovens	•
VitroLine	•
Appliance colour	Obsidian black
Convenience features	
Rapid heat-up	•
External steam generation	•
Oxygen sensor	•
Individual humidity settings in combination cooking	•
Menu cooking without transfer of taste	•
Mix & Match	•
Automatic programmes with programmable settings for cooking results	•
Keeping warm	•
Operating modes	
Defrosting	•
Country-specific automatic programmes	•
Combination cooking	•
Steam cooking	•
Reheat	•
Grill operating modes	•
Grill	•
Economy grill	•
Fan plus	•
Intensive bake	•
Cake plus	•
Conventional heat	•
Top heat	•
Bottom heat	•
Fan grill	•
Special applications	•

DGC 7845

XL Steam combination oven with mains water and drain connection
for steam cooking, baking, roasting with wireless food probe + menu cooking.



User convenience	
Display	M Touch
MultiLingua	•
MyMiele	•
Help function	•
Motorised fascia panel	•
Quantity-independent cooking	•
Steam cooking on up to 3 levels at the same time	•
Automatic menu cooking	•
Steam reduction before end of programme	•
Polyphonic buzzers	•
Timer functions	•
Time of day display	•
Date display	•
Minute minder	•
Actual temperature display	•
Recommended temperature	•
Sabbath programme	•
Individual settings	•
Cleaning convenience	
Stainless-steel oven compartment with linen-weave pattern	•
PerfectClean finish	•
External steam generator	•
Floor heater for condensate reduction	•
Maintenance programmes	•
Soak programme	•
Rinse programme	•
Oven compartment drying programme	•
Quick-release side racks	•
Automatic descaling	•
CleanGlass door	•
Steam technology and water supply	
DualSteam	•
Drain filter	•
Safety	
Appliance cooling system and touch-cool fronts	•
Safety switch-off	•
System lock	•
Vapour cooling system	•
Sensor lock	•

DGC 7845

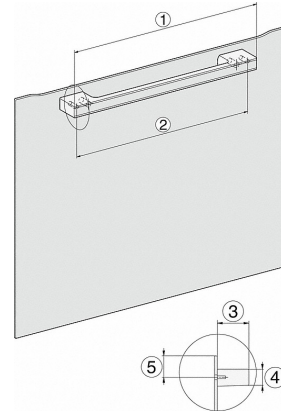
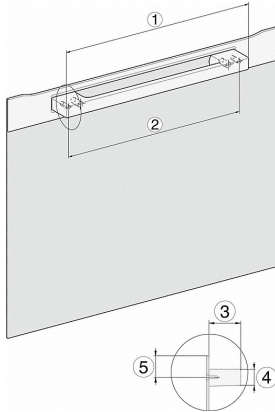
XL Steam combination oven with mains water and drain connection for steam cooking, baking, roasting with wireless food probe + menu cooking.



Technical data	
Oven compartment volume in l	48
No. of shelf levels	3
Numbered shelf levels	•
Door hinge	Bottom
Niche depth in mm	555
Appliance width in mm	595
Appliance height in mm	456
Weight in kg	39.7
Total rated load in kW	3.4
Voltage in V	230
Number of phases	1
Fuse rating in A	16
Length of supply lead in m	2.0
Standard accessories	
Perforated stainless steel cooking container	2
Solid stainless steel cooking containers	1

DGC 7845

XL Steam combination oven with mains water and drain connection for steam cooking, baking, roasting with wireless food probe + menu cooking.

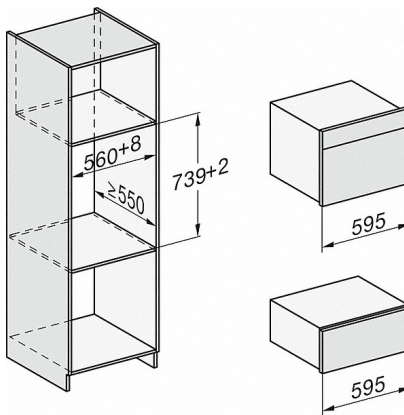


DG2840, DG7x40, DGC7x4x, DG7x6x, DGC7x6x, DGD7635, DGM7x4x, DO7, H28B/BP, H7x4xB/BM/BP, H7x6xB/BP, installation drawing

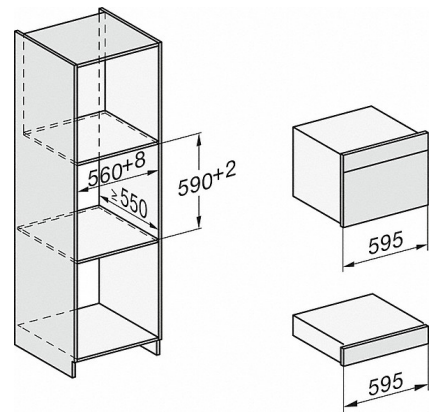
DG7x40, DGC7x4x, DGC7x6x, DG7635, DGM7x4x, DO7, H2860B/BP, H7240BM, H7x40BM, H7x4xB/BP, H7x6xB/BP, installation drawings

- 1) 400 mm
- 2) 360 mm
- 3) 47 mm
- 4) 24 mm
- 5) 32.5 mm

- 1) 400 mm
- 2) 360 mm
- 3) 47 mm
- 4) 27 mm
- 5) 32.5 mm



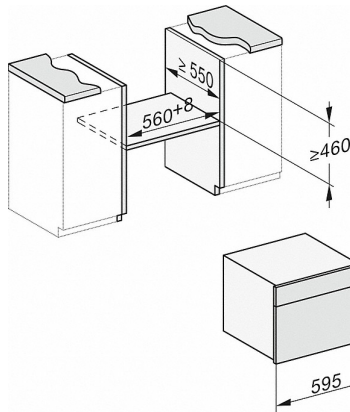
ESW7x20, installation drawings



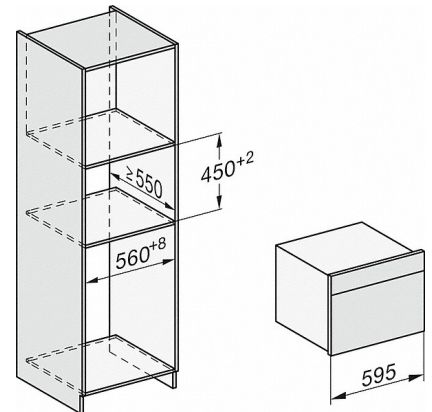
ESW7x10, installation drawings

DGC 7845

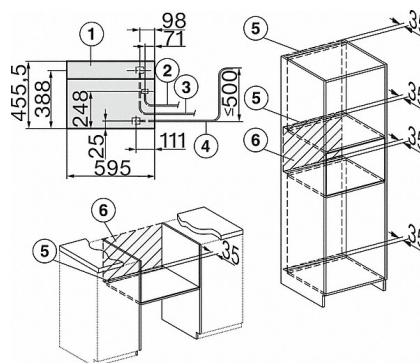
XL Steam combination oven with mains water and drain connection for steam cooking, baking, roasting with wireless food probe + menu cooking.



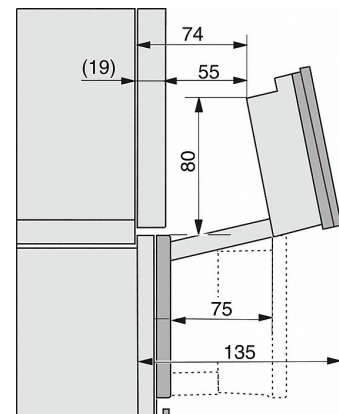
DG7x4x, DGM7x4x, DGC7x4x, DGC7x4xX installation drawings



DGC7x4x, DGC7x4xX installation drawings



DGC7x45, installation drawings

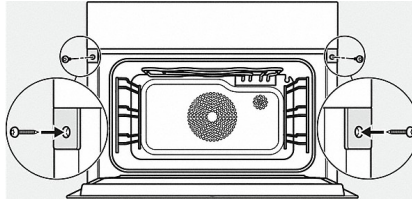


DGC7x4x, DGC7x4x-55, DGC7xxx, installation drawings

- 1) Front view
 - 2) Mains connection cable, L=2.000 mm
 - 3) Water inlet hose (metal), L=2.000 mm
 - 4) Drain hose (plastic), L=3.000 mm
- The distance between the top of the drain hose and the odour trap must not exceed 500 mm.
- 5) Ventilation cut min. 180 cm²
 - 6) No connection in this area

DGC 7845

XL Steam combination oven with mains water and drain connection for steam cooking, baking, roasting with wireless food probe + menu cooking.



DGC7x4x, DGC7x4xX installation drawings