

DGM 7640

Steam oven with microwave  
for healthy cooking and rapid heating-up with networking and menu cooking.



- Touch display with proximity sensor – M Touch S + MotionReact
- Perfect results – DualSteam technology
- Consistent and quick microwave results – Quick & Gentle
- Perfect results guaranteed every time – Automatic programmes
- Shorter cooking durations by combining steam with microwave power

<b>Model and design</b>	
Steam oven with microwave	•
VitroLine	•
Appliance colour	Brilliant white
<b>Convenience features</b>	
External steam generation	•
Menu cooking without transfer of taste	•
Automatic programmes with programmable settings for cooking results	•
Keeping warm	•
<b>Operating modes</b>	
Defrosting	•
Country-specific automatic programmes	•
Steam cooking	•
Reheat	•
Microwave	•
Special applications	•
<b>User convenience</b>	
Display	M Touch S
MultiLingua	•
MyMiele	•
Help function	•
Popcorn function	•
Quantity-independent cooking	•
Steam cooking on up to 3 levels at the same time	•
Automatic menu cooking	•
Steam reduction before end of programme	•
Timer functions	•
Time of day display	•
Date display	•
Minute minder	•
Actual temperature display	•
Recommended temperature	•
Quick microwave	•
Individual settings	•
<b>Cleaning convenience</b>	
External steam generator	•
Floor heater for condensate reduction	•
Maintenance programmes	•
Soak programme	•
Quick-release side racks	•
Automatic descaling	•
CleanGlass door	•

DGM 7640

Steam oven with microwave

for healthy cooking and rapid heating-up with networking and menu cooking.

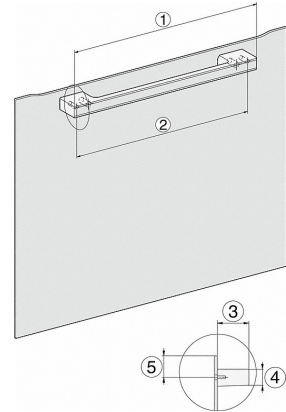
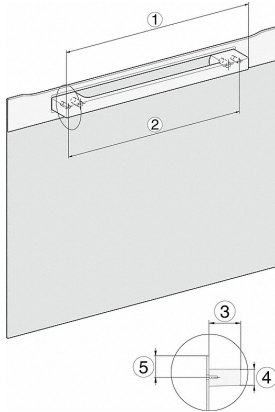


<b>Steam technology and water supply</b>	
DualSteam	•
Removal of fresh water container with Push2release mechanism	•
Fresh water container volume in l	1.5
<b>Safety</b>	
Appliance cooling system and touch-cool fronts	•
Safety switch-off	•
System lock	•
Vapour cooling system	•
Sensor lock	•
<b>Technical data</b>	
Oven compartment volume in l	40
No. of shelf levels	4
Door hinge	Bottom
Microwave power levels in W	80/150/300/450/600/850/1000
Niche depth in mm	550
Appliance width in mm	595
Appliance height in mm	455
Weight in kg	30.7
Total rated load in kW	3.3
Voltage in V	230
Number of phases	1
Fuse rating in A	16
Length of supply lead in m	2.0
<b>Standard accessories</b>	
Perforated stainless steel cooking container	2

DGM 7640

Steam oven with microwave

for healthy cooking and rapid heating-up with networking and menu cooking.

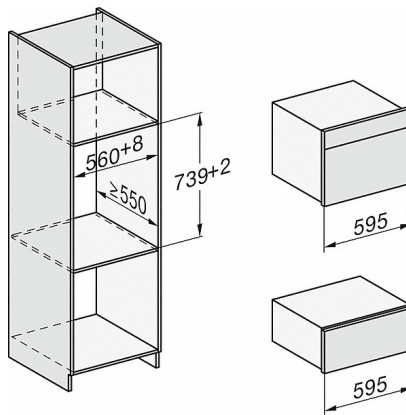


DG2840, DG7x40, DGC7x4x, DG7x6x, DGC7x6x, DGD7635, DGM7x4x, DO7, H28B/BP, H7x4xB/BM/BP, H7x6xB/BP, installation drawing

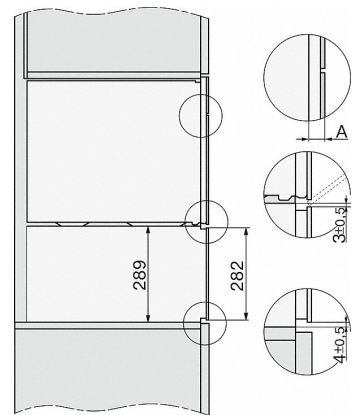
DG7x40, DGC7x4x, DGC7x6x, DG7635, DGM7x4x, DO7, H2860B/BP, H7240BM, H7x40BM, H7x4xB/BP, H7x6xB/BP, installation drawings

- 1) 400 mm
- 2) 360 mm
- 3) 47 mm
- 4) 24 mm
- 5) 32.5 mm

- 1) 400 mm
- 2) 360 mm
- 3) 47 mm
- 4) 27 mm
- 5) 32.5 mm



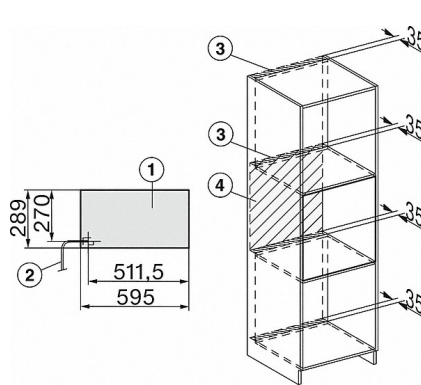
ESW7x20, installation drawings



ESW7x20, DG7xxx, DGM7xxx installation drawings

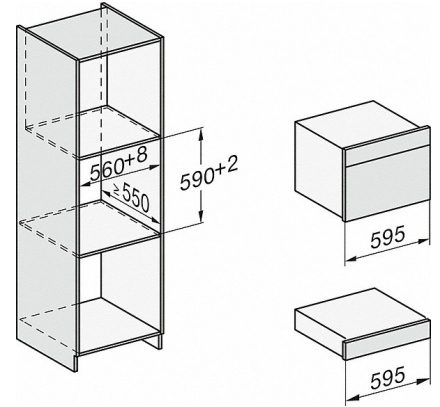
DGM 7640

Steam oven with microwave  
for healthy cooking and rapid heating-up with networking and menu cooking.

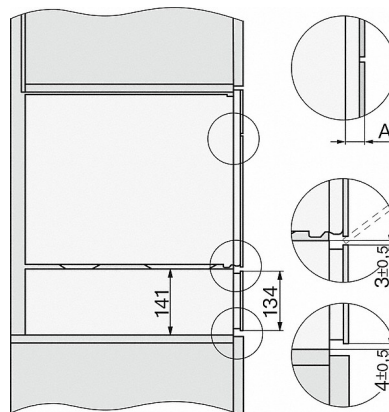


ESW7x20, DGM7x4x installation drawings

- 1) Front view
- 2) Mains connection cable, L=2.000 mm
- 3) Ventilation cut min. 180 cm<sup>2</sup>
- 4) No connection in this area

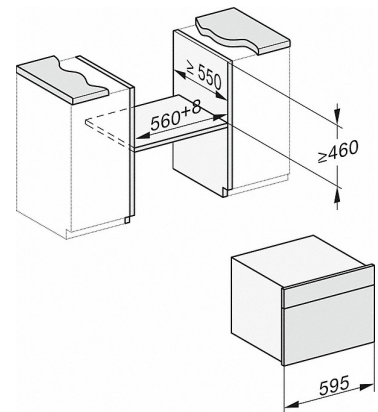


ESW7x10, installation drawings



ESW7x10, EVS7010, DG7x4x, DGM7x4x installation drawings

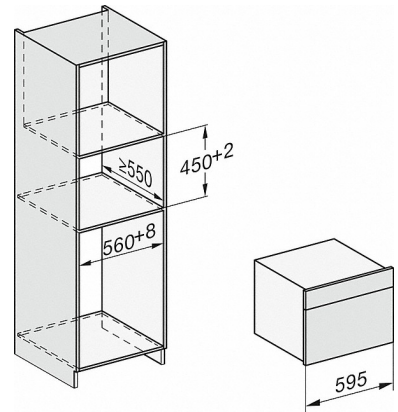
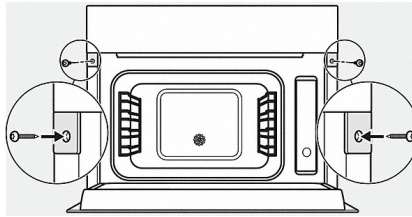
A) 22 mm glass, 23,3 mm stainless steel



DG7x4x, DGM7x4x, DGC7x4x, DGC7x4xX installation drawings

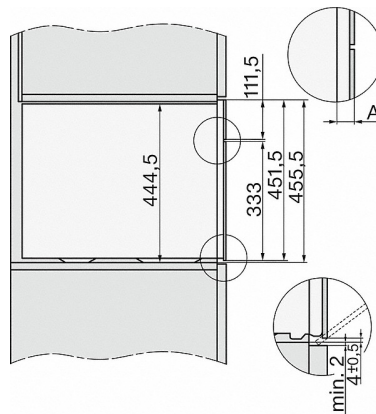
DGM 7640

Steam oven with microwave  
for healthy cooking and rapid heating-up with networking and menu cooking.



DG7xxx, DGM7xxx, installation drawings

DG7x4x, DGM7x4x, installation drawings



DG7x4x, DGM7x4x, DG7x4x-55, DGM7x4x-55, installation drawings

A 22 mm glass  
23,3 mm metal