

DG 2840

Built-in steam oven

for healthy cooking with automatic programmes.



- 7-segment display with sensor controls – EasySensor
- Perfect results – DualSteam technology
- Perfect results guaranteed every time – Automatic programmes
- Easy preparation of a complete meal – menu cooking
- Plenty of room – 40 l stainless steel oven interior

Model and design	
Built-in steam oven	•
VitroLine	•
Appliance colour	Brilliant white
Convenience features	
External steam generation	•
Menu cooking without transfer of taste	•
Automatic programmes with programmable settings for cooking results	•
Operating modes	
Defrosting	•
Automatic programmes	•
Steam cooking	•
Reheat	•
Eco steam cooking	•
User convenience	
Display	EasySensor
SoftClose	•
Quantity-independent cooking	•
Steam cooking on up to 3 levels at the same time	•
Menu cooking	•
Steam reduction before end of programme	•
Timer functions	•
Programmable cooking duration	•
Actual temperature display	•
Individual settings	•
Cleaning convenience	
Stainless-steel oven compartment with linen structure	•
External steam generator	•
Floor heater for condensate reduction	•
Quick-release side racks	•
Removable side racks	•
Automatic descaling	•
CleanGlass door	•
Steam technology and water supply	
DualSteam	•
Removal of fresh water container with Push2release mechanism	•
Fresh water container volume in l	1.5
Safety	
Appliance cooling system and touch-cool fronts	•
Safety switch-off	•
Vapour cooling system	•

DG 2840

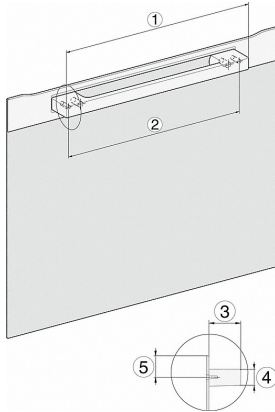
Built-in steam oven
for healthy cooking with automatic programmes.



Technical data	
L – Oven compartment	•
Oven compartment volume in l	40.0
No. of shelf levels	4
Door hinge	Bottom
Niche depth in mm	550
Appliance width in mm	595
Appliance height in mm	455
Weight in kg	26.8
Total rated load in kW	3.5
Voltage in V	230
Fuse rating in A	15
Length of supply lead in m	2.0
Standard accessories	
Removable side runners (pair)	1
Perforated stainless steel cooking container	2
Solid stainless steel cooking containers	1
Wire rack	1
Condensate tray	1
Descaling tablets	2

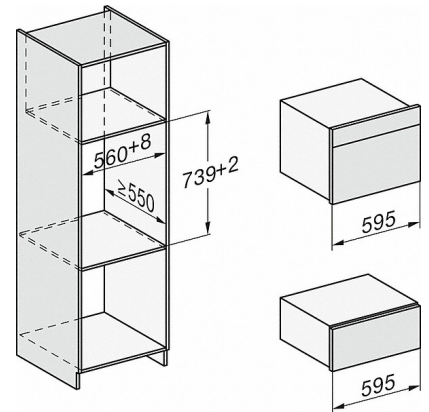
DG 2840

Built-in steam oven
for healthy cooking with automatic programmes.

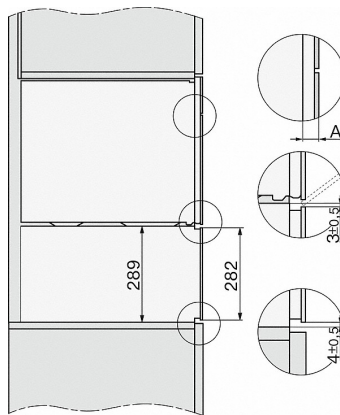


DG2840, DG7x40, DGC7x4x, DG7x6x, DGC7x6x,
DGD7635, DGM7x4x, DO7, H28B/BP, H7x4xB/BM/BP,
H7x6xB/BP, installation drawing

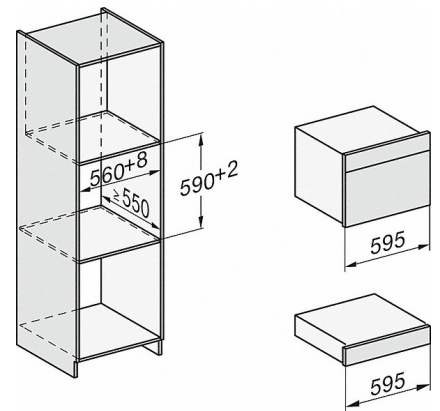
- 1) 400 mm
- 2) 360 mm
- 3) 47 mm
- 4) 24 mm
- 5) 32.5 mm



ESW7x20, installation drawings



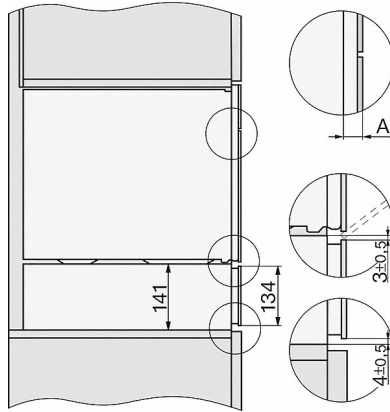
ESW7x20, DG7xxx, DGM7xxx installation drawings



ESW7x10, installation drawings

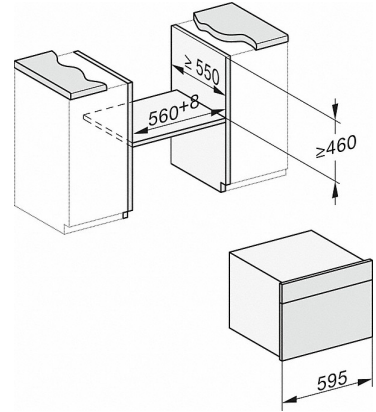
DG 2840

Built-in steam oven
for healthy cooking with automatic programmes.

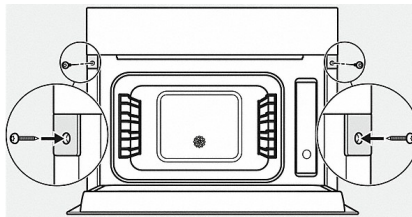


ESW7x10, EVS7010, DG7x4x, DGM7x4x installation drawings

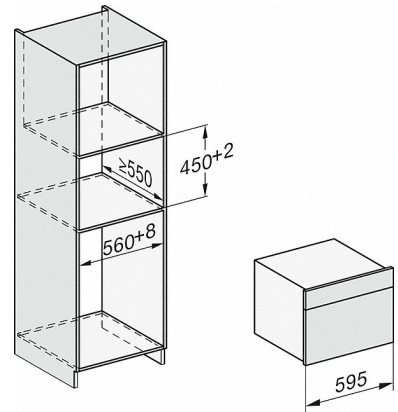
A) 22 mm glass, 23,3 mm stainless steel



DG7x4x, DGM7x4x, DGC7x4x, DGC7x4xX installation drawings



DG7xxx, DGM7xxx, installation drawings



DG7x4x, DGM7x4x, installation drawings