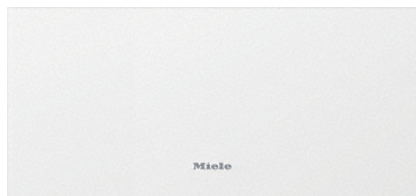


ESW 7020

29 cm high handleless Gourmet warming drawer  
for preheating crockery, keeping food warm and low temperature cooking.



- The ultimate in enjoyment – low temperature cooking
- Always at the right temperature – 4 functions
- Convenient and easy – Touch control
- Opening the drawer couldn't be easier – Push2open
- Better safe than sorry – timer function with automatic switch-off

<b>Model and design</b>	
Gourmet warming drawer	•
VitroLine	•
ArtLine	•
Handleless	•
Colour	Brilliant white
<b>Convenience features</b>	
Pre-heating crockery	•
Keeping food warm	•
Perfect cooking results at low temperature	•
<b>Operating modes</b>	
Cup warming	•
Plate warming	•
Keeping food warm	•
Low temperature cooking	•
<b>User convenience</b>	
Networking with Miele@home	•
Capacity	12 place settings
Push2open mechanism	•
Fully telescopic runners for easy loading and unloading	•
Timer functions	•
Control panel with symbols	•
Stop programming	•
Timer function	•
Sabbath programme	•
<b>Cleaning convenience</b>	
Flush control panel	•
<b>Safety</b>	
Cool front	•
Anti-slip mat	•
Safety switch-off	•
<b>Technical data</b>	
Temperatures in °C	40
Appliance width in mm	595
Appliance height in mm	289
Appliance depth in mm	570
Useable interior height in mm	230
Total rated load in kW	1
Voltage in V	230
Frequency in Hz	50-60
Fuse rating in A	10
Number of phases	1
Length of supply lead in m	2.0

ESW 7020

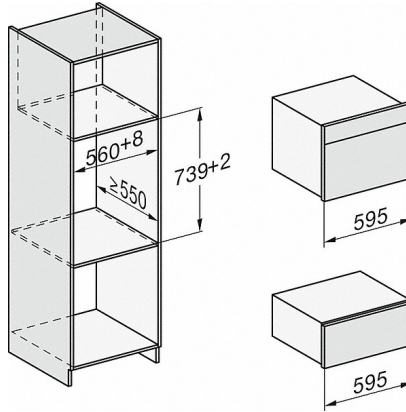
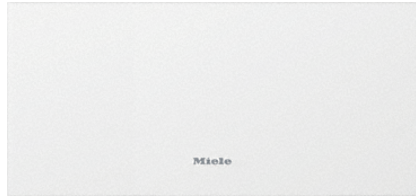
29 cm high handleless Gourmet warming drawer  
for preheating crockery, keeping food warm and low temperature cooking.



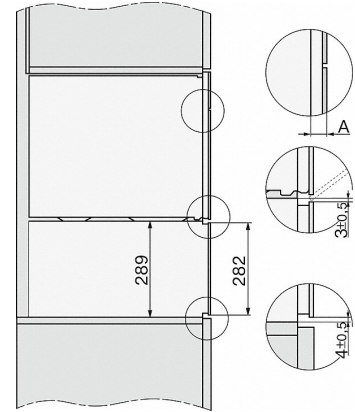
Standard accessories	
Anti-slip mat	1
Rack for increased capacity	1

## ESW 7020

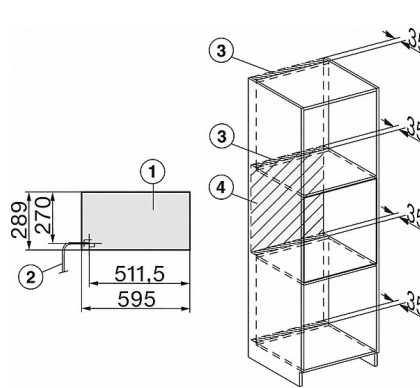
29 cm high handleless Gourmet warming drawer for preheating crockery, keeping food warm and low temperature cooking.



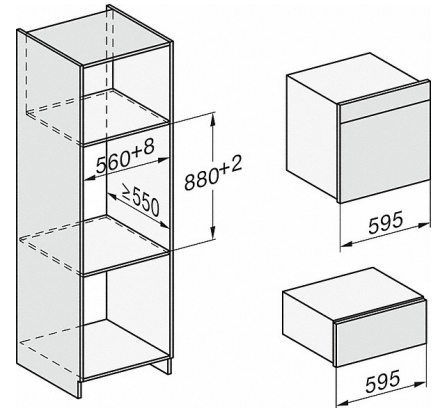
ESW7x20, installation drawings



ESW7x20, DG7xxx, DGM7xxx installation drawings

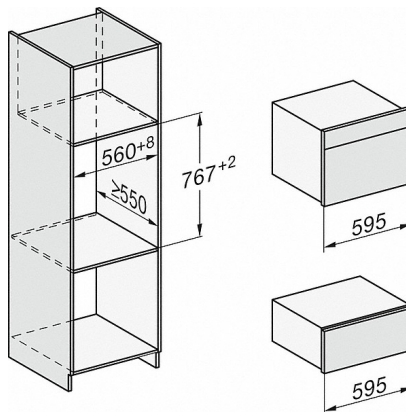


ESW7x20, DGM7x4x installation drawings

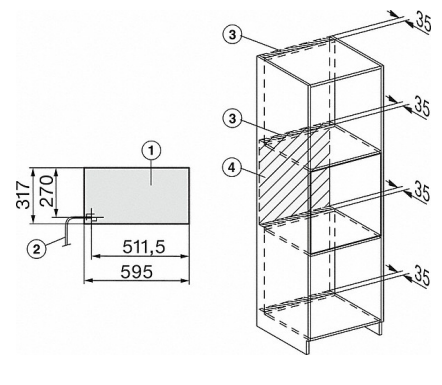


ESW7x20, installation drawings

- 1) Front view
- 2) Mains connection cable, L=2.000 mm
- 3) Ventilation cut min. 180 cm<sup>2</sup>
- 4) No connection in this area



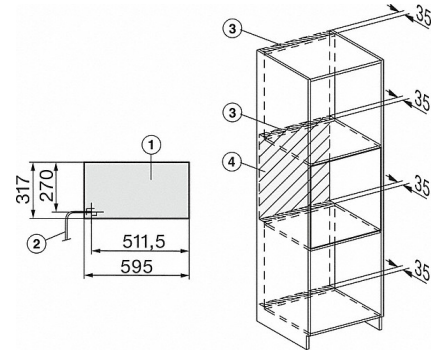
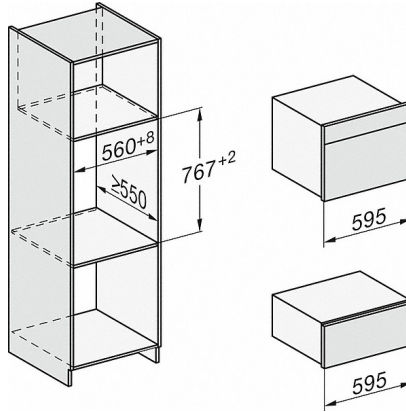
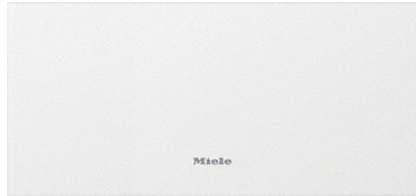
ESW7030, installation drawings



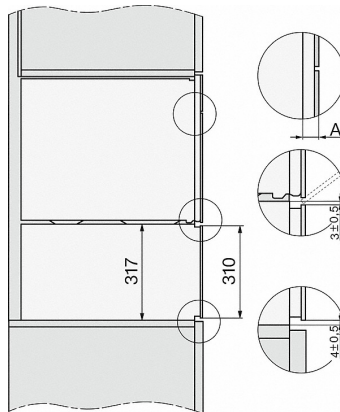
ESW7030 installation drawings

ESW 7020

29 cm high handleless Gourmet warming drawer  
for preheating crockery, keeping food warm and low temperature cooking.



- 1) Front view
- 2) Mains connection cable, L=2.000 mm
- 3) Ventilation cut min. 180 cm<sup>2</sup>
- 4) No connection in this area



ESW7030, installation drawings

A) 22 mm glass, 23,3 mm stainless steel