

M 7244 TC

Built-in microwave oven

in a design that is the perfect complement with controls on the top.



- Clear-text display with sensor controls – DirectSensor S
- Optimum and even browning – integrated Quartz grill
- Perfect defrosting and cooking – Automatic programmes
- Plenty of room – 46 l oven compartment volume and 40 cm turntable
- Popcorn at the touch of a button – Popcorn button

Model and design	
Built-in microwave oven	•
VitroLine	•
TopControl	•
Appliance colour	Brilliant white
Convenience features	
Keeping warm	•
Quartz grill	•
Operating modes	
Grill	•
Microwave solo operation	•
User convenience	
Display	DirectSensor S
SoftClose	•
MultiLingua	•
Popcorn function	•
Timer functions	•
Time of day display	•
Minute minder	•
Programmable end of cooking duration	•
Programmable cooking duration	•
Quick microwave	•
Individual settings	•
Efficiency and sustainability	
Night switch-off	•
Cleaning convenience	
Stainless steel oven compartment	•
CleanGlass door	•
Safety	
Appliance cooling system and touch-cool fronts	•
System lock	•
Safety switch-off	•
Safety lock "Door" warning	•

M 7244 TC

Built-in microwave oven

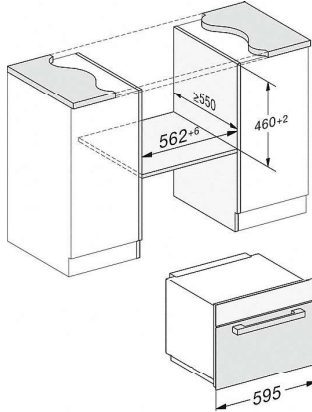
in a design that is the perfect complement with controls on the top.



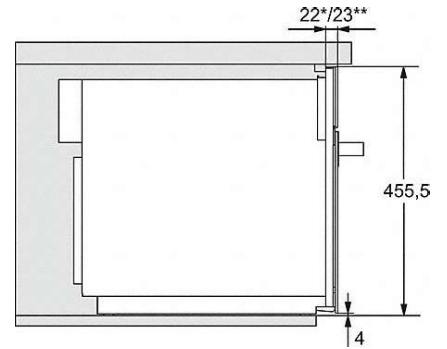
Technical data	
Oven compartment volume in l	46
Door hinge	Bottom
Oven light	1 LED spot
Oven interior height in cm	23.2
Turntable diameter in cm	40,6
Appliance width in mm	595
Appliance height in mm	456
Appliance depth in mm	560
Weight in kg	29,2
Niche-independent venting	•
Total rated load in kW	1,6
Voltage in V	220-240
Frequency in Hz	50
Number of phases	1
Fuse rating in A	10
Length of supply lead in m	2,1
Standard accessories	
Grilling rack	1
Gourmet plate	1

M 7244 TC

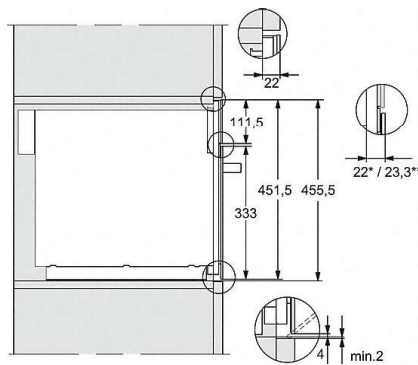
Built-in microwave oven
in a design that is the perfect complement with controls on the top.



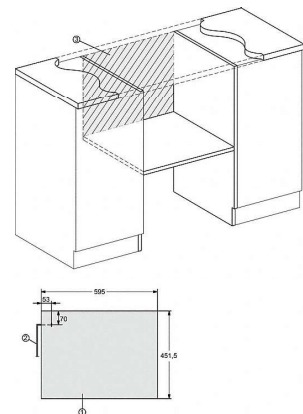
M7140TC, M724x, installation drawings



M7140TC, M724xTC, installation drawing

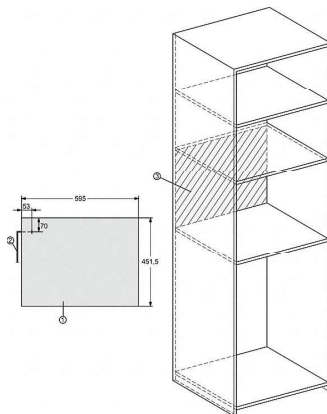


M7140TC, M724xTC, installation drawing



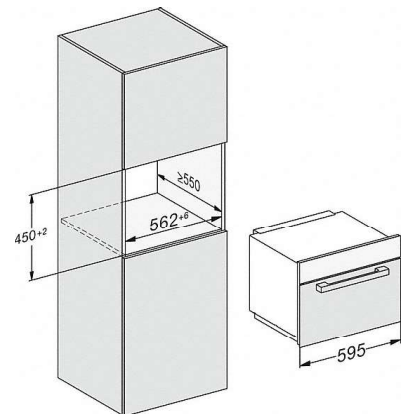
M7140TC, M724x, installation drawings

- 1) Front view
- 2) Mains connection cable L=1,600 mm
- 3) No connection in this area



M7140TC, M724x, installation drawings

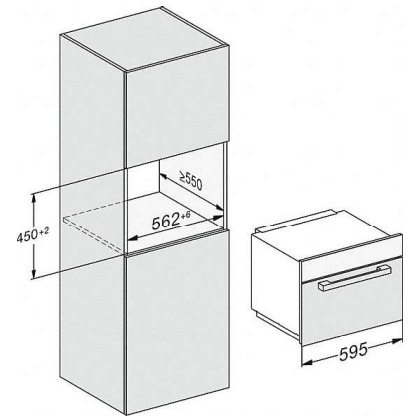
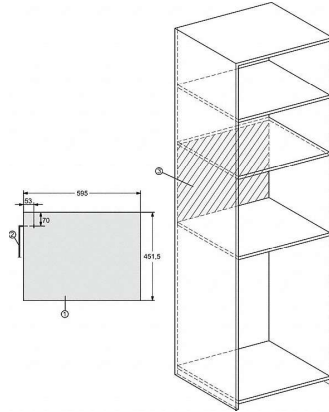
- 1) Front view



M7140TC, M724x, installation drawings

M 7244 TC

Built-in microwave oven
in a design that is the perfect complement with controls on the top.



- 2) Mains connection cable L=1,600 mm
- 3) No connection in this area