

H 7464 BPX

Handleless oven

seamless design with food probe and LED lighting.



- Large clear text display with sensor controls – DirectSensor
- Minimal cleaning effort – Pyrolytic cleaning equipment & PyroFit
- Especially light dough and nicely browned crusts – Moisture Plus
- Ensures your food won't overcook – TasteControl
- Network-enabled WiFi appliance – Miele@home

Model and design	
Built-in oven	•
ArtLine	•
Handleless	•
Appliance colour	Brilliant white
Convenience features	
TasteControl	•
Rapid heat-up	•
Food probe	With cable
Keeping warm	•
Crisp function	•
Operating modes	
Defrosting	•
Automatic programmes	•
Automatic programmes	•
Auto roast	•
Grill operating modes	•
Grill	•
Fan plus	•
Intensive bake	•
Moisture plus	•
Moisture plus with Fan plus	•
Moisture plus with Conventional heat	•
Moisture plus with Intensive Bake	•
Moisture plus with Auto Roast	•
Conventional heat	•
Bottom heat	•
Fan grill	•

H 7464 BPX

Handleless oven

seamless design with food probe and LED lighting.



User convenience	
Networking with Miele@home	•
Display	DirectSensor
Touch2Open	•
MultiLingua	•
Programmable timed steam injection	•
Timer functions	•
Time of day display	•
Date display	•
Minute minder	•
Programmable start of cooking duration	•
Programmable end of cooking duration	•
Actual temperature display	•
Target temperature display	•
Audible signal when target temperature is reached	•
Recommended temperature	•
Individual settings	•
Efficiency and sustainability	
Residual heat utilisation	•
Cleaning convenience	
Pyrolytic self-cleaning	•
Catalyser	Unheated
Hinged grill heater element	•
CleanGlass door	•
Safety	
Appliance cooling system and touch-cool fronts	•
Safety switch-off	•
System lock	•
Door lock during pyrolytic cleaning	•
Sensor lock	•

H 7464 BPX

Handleless oven

seamless design with food probe and LED lighting.

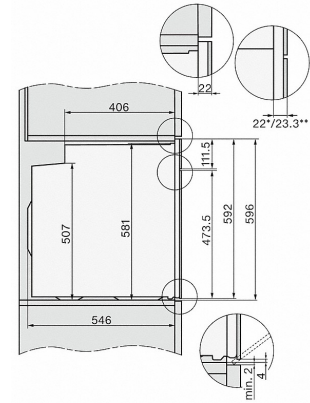
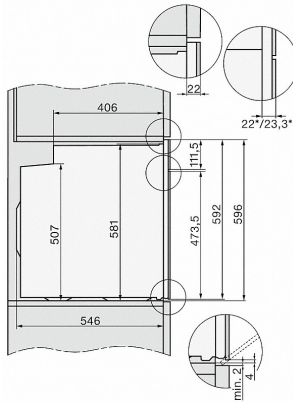


Technical data	
Oven compartment volume in l	76
No. of shelf levels	5
Numbered shelf levels	•
Oven light	1 LED spot
Temperatures in °C	30
Appliance width in mm	595
Appliance height in mm	596
Appliance depth in mm	568
Weight in kg	47.0
Total rated load in kW	3.6
Voltage in V	220-240
Number of phases	1
Fuse rating in A	16
Length of supply lead in m	2
Standard accessories	
Baking tray with PerfectClean	1
Universal tray with PerfectClean	1
Baking and roasting rack PyroFit	2
PyroFit FlexiClip runners (pair)	1
Removable PyroFit side runners (pair)	1

H 7464 BPX

Handleless oven

seamless design with food probe and LED lighting.

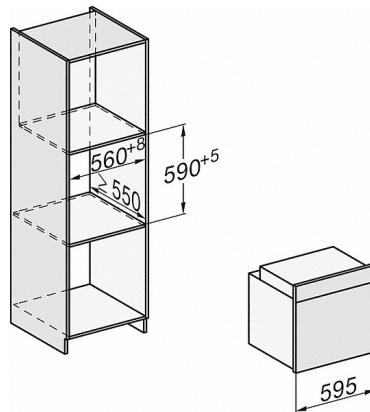


H2760B/BP, H28x0B/BP, H7x6xB/BP/BPX, installation drawings

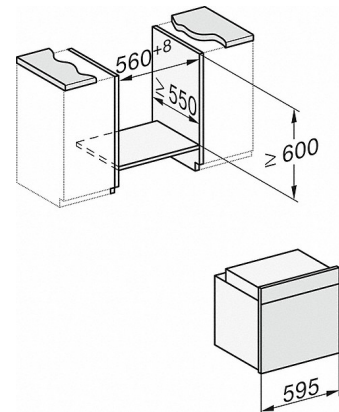
22 mm - glass
23,3 mm - metal

H2760B/BP, H28x0B/BP, H7x6xB/BP/BPX, installation drawings

22 mm - glass
23.3 mm - metal



H226x-1B/BP/E/EP/IP, H2760B/BP, H28x0B/BP, H7x6xB/BP/BPX, installation drawings



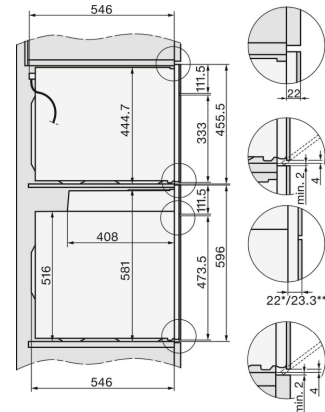
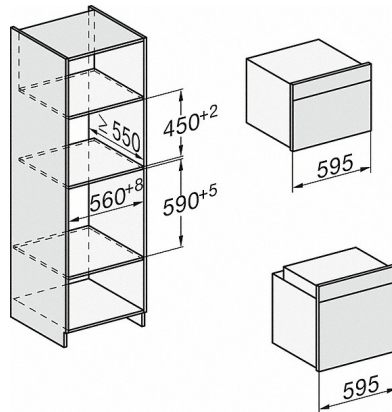
H226x-1B/BP/E/EP/IP, H2x6xB/BP, H7x6xB/BP/BPX, installation drawings

If the oven is to be installed under a hob, follow the instructions for installing the hob and the height of the hob.

H 7464 BPX

Handleless oven

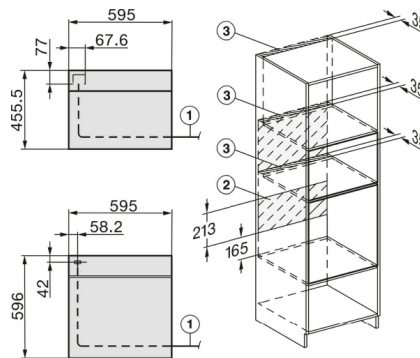
seamless design with food probe and LED lighting.



H226x-1B/BP/E/EP/I/IP, H2760B/BP, H28x0B/BP, H7x40BM/BMX, H7x6x6B/BP/BPX, installation drawings

H2xxx-1 B/BP/E/I/IP, H7xxx B/BP/BM/BMX, installation drawings

22 mm - glass
23,3 mm - metal



H2xxx-1 B/BP/E/I/IP, H7xxx B/BP/BM/BMX, installation drawings

22 mm - glass
23,3 mm - metal