

H 7440 BMX

Handleless speed oven

with a seamless design, automatic programmes and combination modes.



- Large clear text display with sensor controls – DirectSensor
- Easy cleaning – compartment with PerfectClean and linen structure
- Faster and more consistent results – Quick & Gentle
- Network-enabled WiFi appliance – Miele@home
- Get what you want in 1 easy step – Quick MW and Popcorn button

Model and design	
Built-in microwave combination oven	•
ArtLine	•
Handleless	•
Appliance colour	Brilliant white
Convenience features	
Quick & Gentle	•
Rapid heat-up	•
Keeping warm	•
Operating modes	
Defrosting	•
Automatic programmes	•
Automatic programmes	•
Auto roast	•
Grill operating modes	•
Grill	•
Fan plus	•
Microwave	•
Microwave + Auto roast	•
Microwave + Grill	•
Microwave + Fan plus	•
Microwave + Fan grill	•
Fan grill	•
Special applications	•
User convenience	
Networking with Miele@home	•
Display	DirectSensor
Touch2Open	•
MultiLingua	•
Popcorn function	•
Timer functions	•
Time of day display	•
Date display	•
Minute minder	•
Programmable start of cooking duration	•
Programmable end of cooking duration	•
Actual temperature display	•
Target temperature display	•
Audible signal when target temperature is reached	•
Recommended temperature	•
Quick microwave	•
Individual settings	•
Efficiency and sustainability	
Residual heat utilisation	•

H 7440 BMX

Handleless speed oven

with a seamless design, automatic programmes and combination modes.

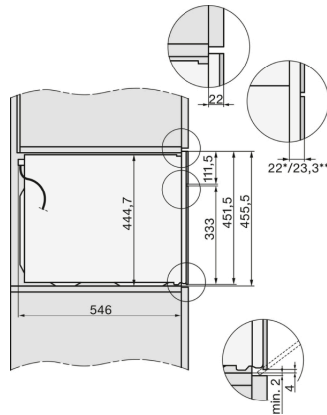


Cleaning convenience	
Stainless-steel oven compartment with linen-weave pattern	•
PerfectClean finish	•
Hinged grill heater element	•
CleanGlass door	•
Safety	
Appliance cooling system and touch-cool fronts	•
Safety switch-off	•
System lock	•
Sensor lock	•
Technical data	
Oven compartment volume in l	43
No. of shelf levels	3
Oven light	1 LED spot
Temperatures in °C	30
Microwave power levels in W	80/150/300/450/600/850/1000
Appliance width in mm	595
Appliance height in mm	456
Appliance depth in mm	568
Weight in kg	36.0
Total rated load in kW	2.2
Voltage in V	220-240
Number of phases	1
Fuse rating in A	16
Length of supply lead in m	2
Standard accessories	
Baking and roasting rack with PerfectClean	1
Glass tray	1

H 7440 BMX

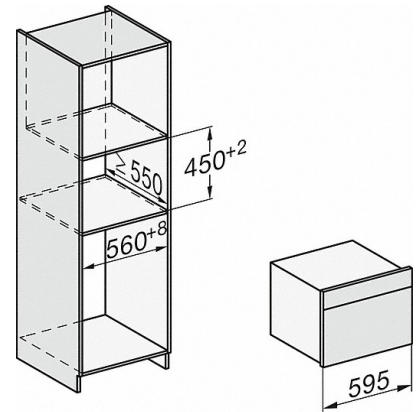
Handleless speed oven

with a seamless design, automatic programmes and combination modes.

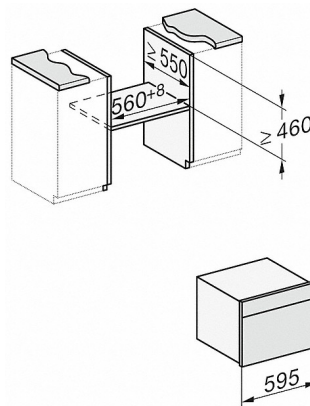


H7x40BM/BMX, installation drawings

22 mm - glass
23,3 mm - metal

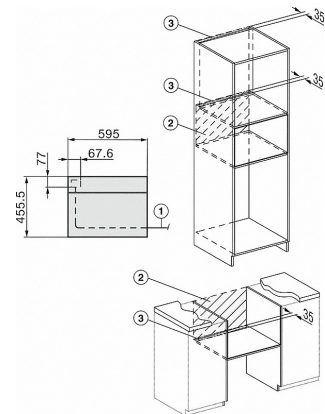


H7x40BM/BMX, installation drawings



H7x4xBM, installation drawings

If the oven is to be installed under a hob, follow the instructions for installing the hob and the height of the hob.

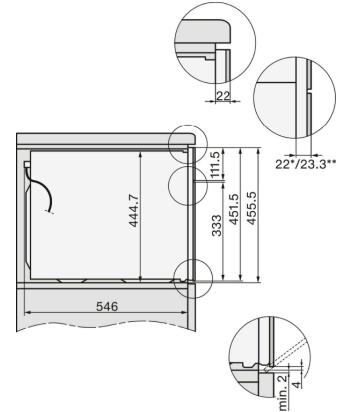
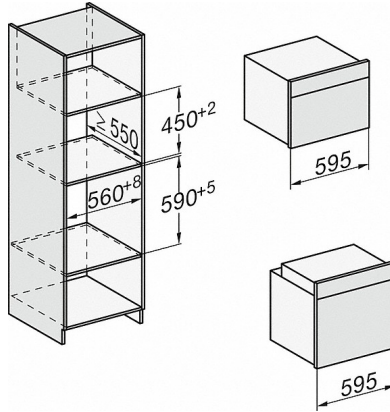


H7x40BM/BMX, installation drawings, GB, AUS

- 1) Mains connection cable, L=2000 mm
- 2) No connection in this area
- 3) Lüftungsausschnitt min. 150 cm²

H 7440 BMX

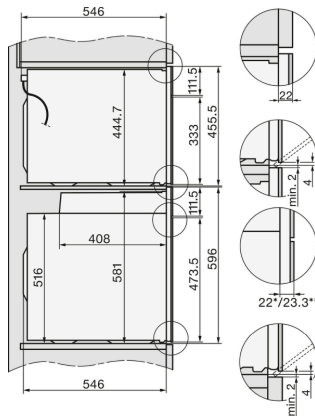
Handleless speed oven
with a seamless design, automatic programmes and combination modes.



H226x-1B/BP/E/EP/I/IP, H2760B/BP, H28x0B/BP, H7x40BM/BMX, H7x6xB/BP/BPX, installation drawings

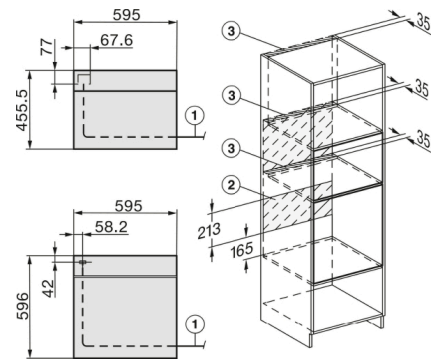
H7x40BM/BMX, installation drawings, GB, AUS

22 mm - glass
23.3 mm - metal



H2xxx-1 B/BP/E/I/IP, H7xxx B/BP/BM/BMX, installation drawings

22 mm - glass
23,3 mm - metal



H2xxx-1 B/BP/E/I/IP, H7xxx B/BP/BM/BMX, installation drawings

22 mm - glass
23,3 mm - metal